

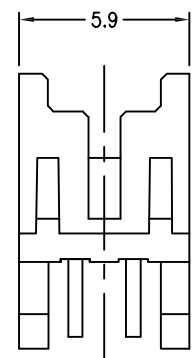
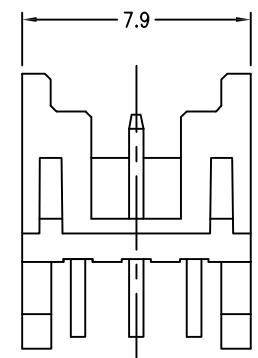
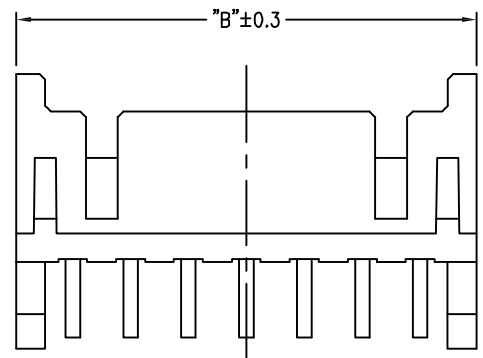
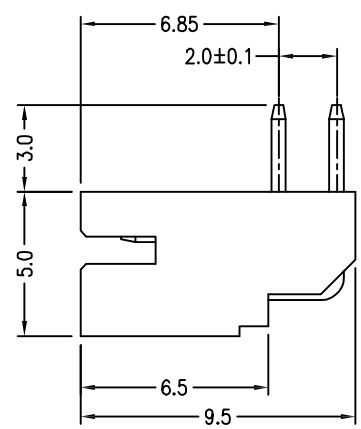
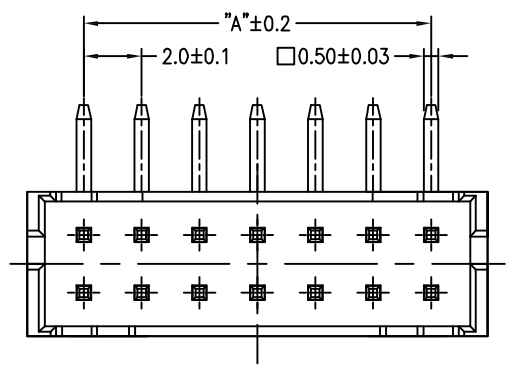
# HSF RoHS

REV	ECN NO	DESCRIPTION	DATE	NAME
A		NEW		

Note:

- Material
  - Housing: NY46 UL94V-0 Color:Nature.
  - Contact: Brass,Tin.
- Rating:
  - Operating Voltage: 125V AC/DC.
  - Current Rating: 2A AC/DC.
  - Operating Temperature:-25°C~+85°C.
  - Contact Resistance:30 mΩ max.
  - Insulation Resistance:1000 MΩ min.
  - Dielectric withstanding Voltage: AC 500V
  - Applicable Wire:AWG#24~#30
- Part Number:

PIN NO.	DIM.A	DIM.B
2x2P	2.0	5.9
2x3P	4.0	7.9
2x4P	6.0	9.9
2x5P	8.0	11.9
2x6P	10.0	13.9
2x7P	12.0	15.9
2x8P	14.0	17.9
2x9P	16.0	19.9
2x10P	18.0	21.9
2x11P	20.0	23.9
2x12P	22.0	25.9
2x13P	24.0	27.9
2x14P	26.0	29.9
2x15P	28.0	31.9
2x16P	30.0	33.9
2x17P	32.0	35.9
2x18P	34.0	37.9
2x19P	36.0	39.9
2x20P	38.0	41.9



2x4P~2x20P

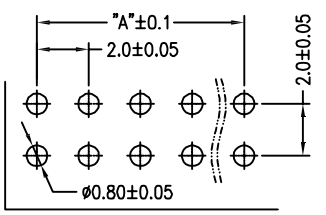
2x3P

2x2P

### Ordering Information

L104XX - 2 1 7 0 XX A

Pin Per Row: 2  
 Row Option: 2=Double Row  
 Welding Method: 1=Right Dip type  
 Insulation Material Option: 7=NY46  
 Serial No.: 01-99  
 Packing: A=PE Bag  
 Special form: 0=Ordinary



P.C.B LAYOUT

STANDARD TOLERANCE (EXCEPT SPECIFIED)	
LINER	ANGLES
.0 ±0.30	0.° ±3°
.00 ±0.20	.0° ±2°
.000 ±0.10	.00° ±1°

**LDCONN 东莞连大精密制品有限公司**  
 DongGuan LianDa Precision Products Co., LTD

TITLE	PH2.0mm Wafer Double row, Right Dip type	DRAWN BY	WZG	17.03.30
PART NO	L104XX-2170XXA	CHECKED BY		
DRAWING NO		APPROVED BY		
SCALE	1:1	UNIT	mm	PAGE 1/1
				SIZE A4