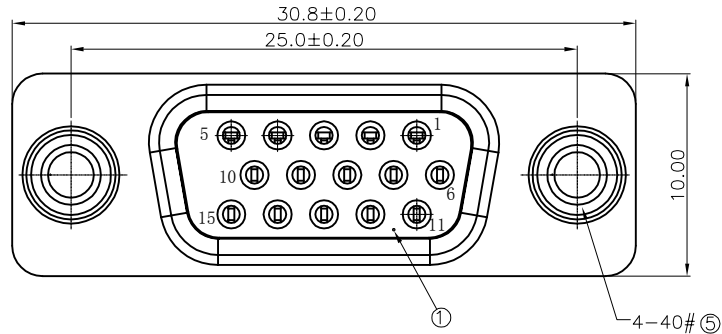


HSF RoHS

REV	ECN NO	DESCRIPTION	DATE	NAME
A		NEW		



1. SPECIFICATION

ELECTRICAL CHARACTERISTICS:

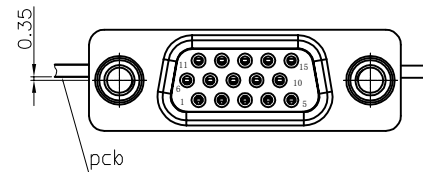
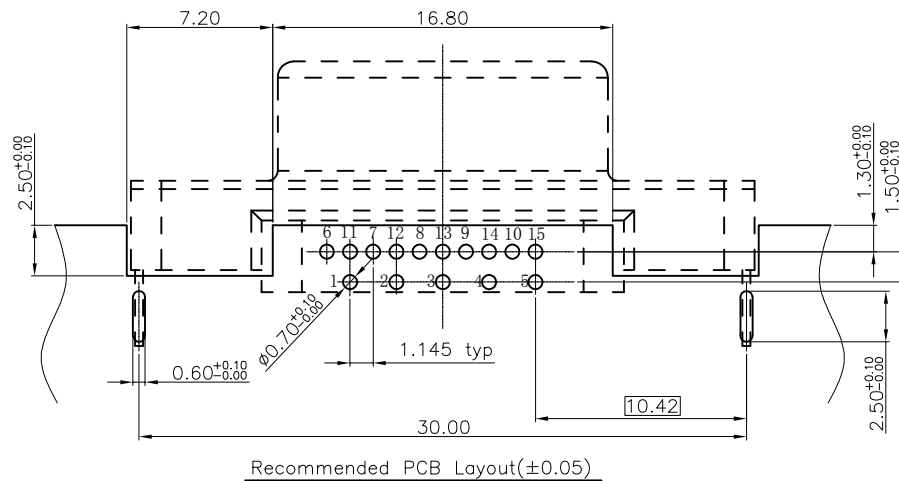
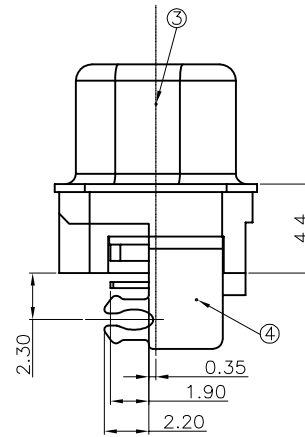
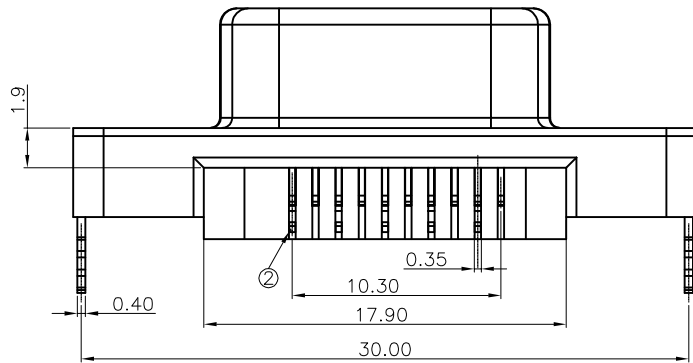
Contact Current Rating: 3Amperes
 Dielectric withstanding Voltage: AC 1000V, for 60sec
 Insulation Resistance: 1000 Milliohms Minmum. at DC 500V
 Contact Resistance: 25 Milliohms Maximum
 Operating Temperature: -55° C to +105° C

2. ORDER INFORMATION

3. Insertion Force: 4.0kg/max
4. Pull out Force: 0.8kg/min
5. Retention Force: 0.5kgf/per pin min

Ordering Information
L88311- 1 X 03 X

电镀规格 ———— 包装类型
 0=Au0.8"
 1=Au1"
 2=Au1.5"
 3=Au2"
 4=Au3"
 5=Au5"
 6=Au10"
 7=半金锡
 8=镀亮锡
 9=镀雾锡
 A=袋装
 B=管装
 C=盘装
 D=卷装



5	NAL	2	BRASS	Ni-Plating
4	GND	2	BRASS	Ni-Plating
3	SHELL	1	SPCC	Ni-Plating
2	CONTACT	15	BRASS	Au-Plating
1	HOUSING	1	LCP/PBT	
NO.	DESCRIPTION	QTY	MATERIAL	PLATING

LDCONN 东莞连大精密制品有限公司
 连大 DongGuan LianDa Precision Products Co., LTD

STANDARD TOLERANCE (EXCEPT SPECIFIED)

LINER	ANGLES
.0 ±0.30	0.° ±3°
.00 ±0.25	.0° ±2°
.000 ±0.15	.00° ±1°

TITLE	VGA 15P Female Reverse H4.7mm	DRAWN BY	Lujunhui	18.04.07
PART NO	L88311-1X03X	CHECKED BY		
DRAWING NO		APPROVED BY		
SCALE	1:1	UNIT	mm	PAGE 1/1
				SIZE A4