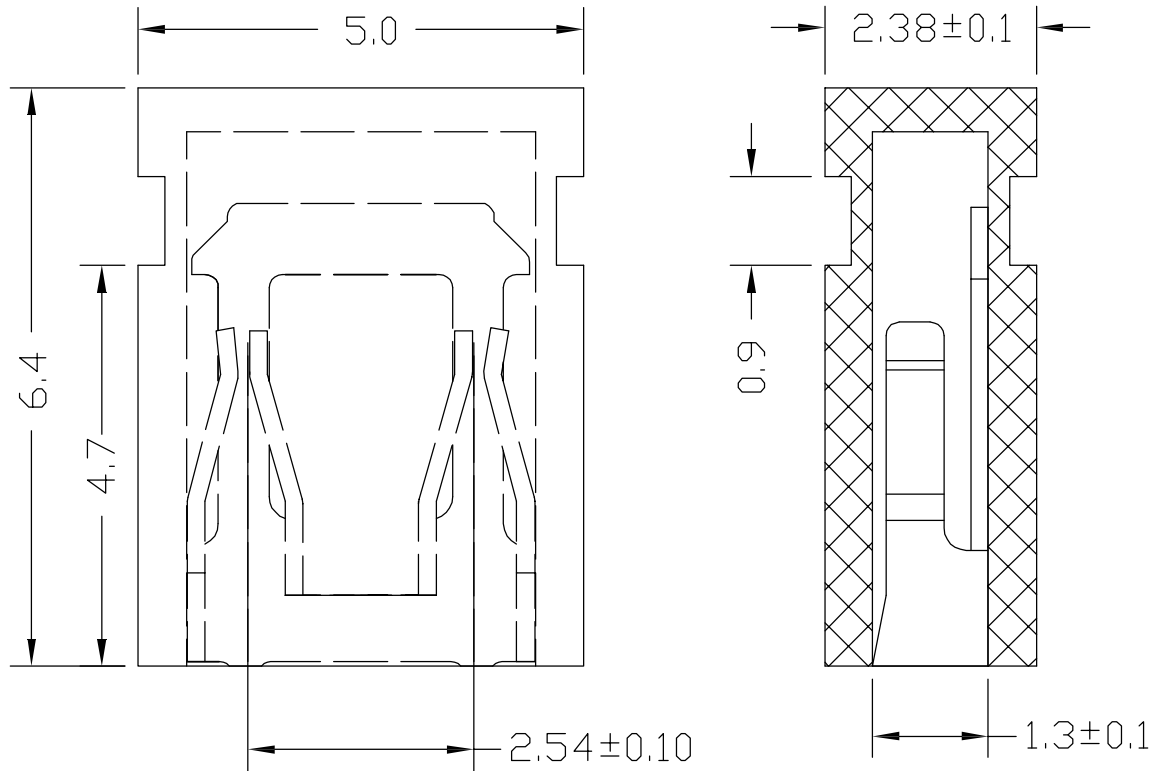


# HSF RoHS

REV	ECN NO	DESCRIPTION	DATE	NAME
A		NEW		

### Specifications

1. Current Rating: 2Amps
2. Insulation Resistance: 1000 mΩ min.
3. Dielectric withstanding Voltage: 500V AC/DC
4. Contact Resistance: 20 mΩ max.
5. Operating Temperature: -40°C to +105°C
6. Contact Material: Brass
7. Insulation Material: As follows, UL94V-0, Black
8. Plated: Au Over Ni



### Ordering Information

L483XX - X X XX X

NO. of Pins Per Row: 02=2P  
 Contact Plating:  
 0=0.8" Gold  
 1=Au1" Gold  
 2=Au1.5" Gold  
 3=Au2" Gold  
 4=Au3" Gold  
 5=Au5" Gold  
 6=Customized  
 7=Gold/Tin  
 8=Tin  
 A=NI  
 Serial NO. 01-69  
 Packing:  
 A=PE Bag  
 B=Tube  
 C=Tray  
 D=Reel

<b>LDCONN 东莞连大精密制品有限公司</b> DongGuan LianDa Precision Products Co., LTD									
TITLE		Short circuit cap PH2.54 H6.4 shut up		DRAWN BY		YTT		16.02.03	
PART NO		L48302-0AXXA		CHECKED BY					
DRAWING NO				APPROVED BY					
SCALE	1:1	UNIT	mm		PAGE	1/1	SIZE	A4	

STANDARD TOLERANCE (EXCEPT SPECIFIED)	
LINER	ANGLES
.0 ±0.30	0.° ±3°
.00 ±0.20	.0° ±2°
.000 ±0.10	.00° ±1°