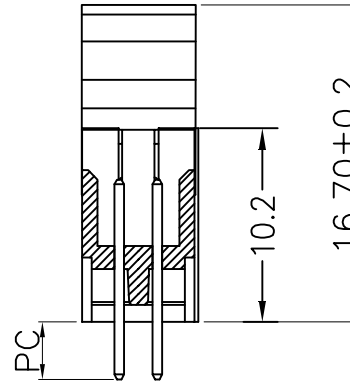
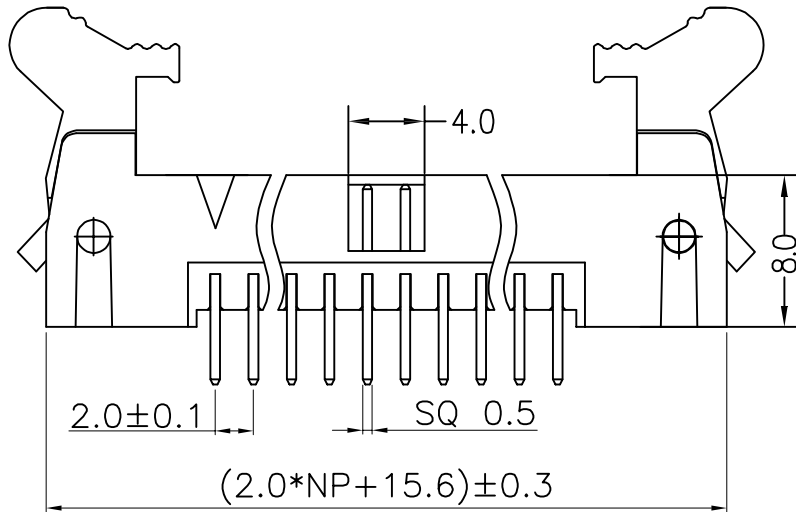
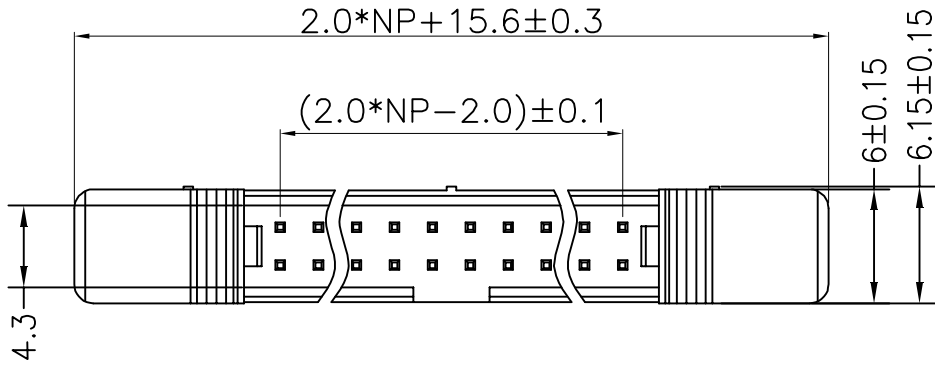


REV	ECN NO	DESCRIPTION	DATE	NAME
A		NEW		

# HSF RoHS

- MATERIALS AND FINISH
  - HOUSING MATERIALS: Asfollows
  - CONTACTS: Brass
  - PLATING: Asfollows
- SPECIFICATIONS
  - CURRENT RATING: 2AMP
  - INSULATION RESISTANCE: 1000MΩ
  - DIELECTRIC WITHSTANDING VOLTAGE: 1000V AC/DC.
  - OPERATING TEMPERATURE: -40°C TO +105°C.



## Ordering Information

L240XX -XX 0 X X XX X

塑胶高度H  
8.0

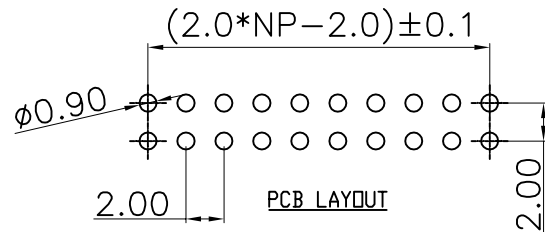
PIN数  
01~40

- PBT
- Au1u"
- NY6T
- LCP
- NY66
- NY46
- NY9T

- Au0.8u"
- Au1u"
- Au1.5u"
- Au2u"
- Au3u"
- Au5u"
- Au10u"
- 半金锡
- 镀亮锡
- 镀雾锡

流水号  
01~69不带柱  
70~99带内柱

- A袋装
- B管装
- C盘装
- D卷装



STANDARD TOLERANCE (EXCEPT SPECIFIED)	
LINER	ANGLES
.0 ±0.30	0.° ±3°
.00 ±0.20	.0° ±2°
.000 ±0.10	.00° ±1°

## LDCONN 东莞连大精密制品有限公司

DongGuan LianDa Precision Products Co., LTD

TITLE	2.0 Ejector Header Straight Type Short Latch	DRAWN BY	ZSL	18.10.13
PART NO	L240XX-XX0XXXXX	CHECKED BY		
DRAWING NO		APPROVED BY		
SCALE	1:1	UNIT	mm	PAGE 1/1
				SIZE A4