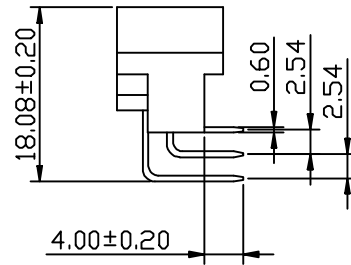
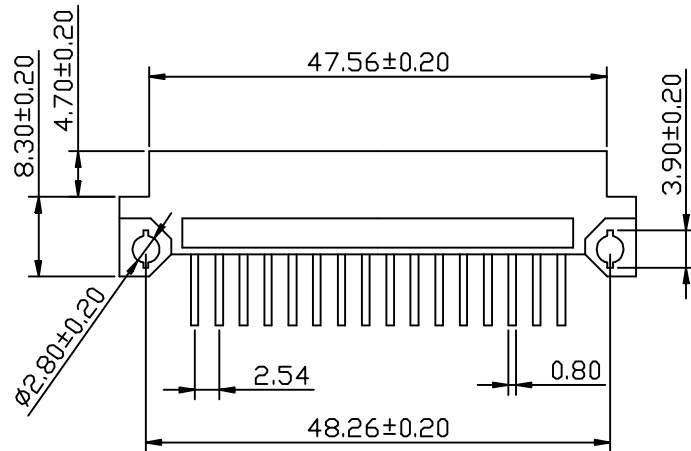
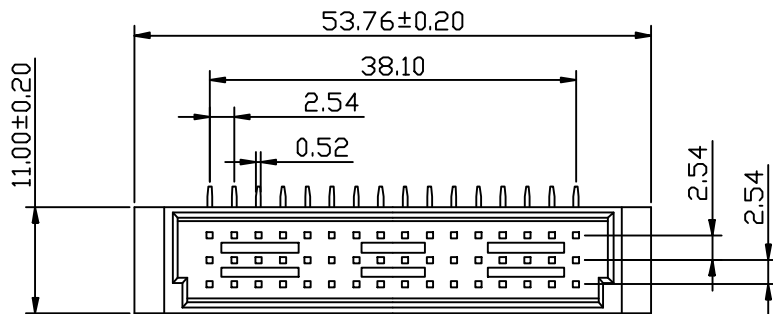


REV	ECN NO	DESCRIPTION	DATE	NAME
A		NEW		



SPECIFICATIONS

Rated Current: 3.0AMP
 Contact Resistance: 30mΩ Max
 Withstand Voltage: 1000V AC/DC
 Insulation Resistance: 1000MΩ Min
 Operation Temperature: -55°C to +105°C
 Contact Material: Brass
 Contact Plating: Au or Sn Over Ni
 Insulator Material: Polyester(UL94V-0)
 Standard: PBT

Ordering Information
L495XX - X X XX X

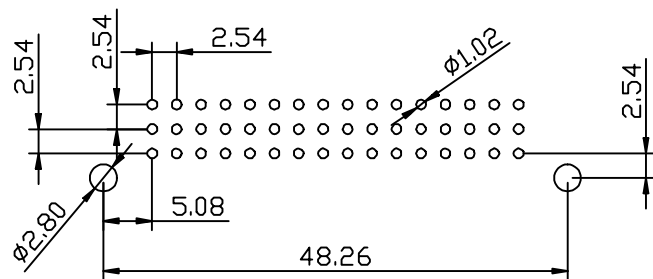
NO. of Pins Per Row:
 1-50P

The product type
 0. 180°
 1. 90°
 2. SMT
 9. Welding line

Contact Plating
 0. Au0.8u"
 1. Au1.0u"
 7. half gold half tin plating
 8. Bright tin plating

Serial NO.
 01-99

Packing
 A=PE Bag
 B=Tube
 C=Tray
 D=Reel



P.C.B LAYOUT

STANDARD TOLERANCE (EXCEPT SPECIFIED)			
LINER		ANGLES	
.0	±0.30	0.°	±3°
.00	±0.20	.0°	±2°
.000	±0.10	.00°	±1°

LDCONN 东莞连大精密制品有限公司 连大 DongGuan LianDa Precision Products Co., LTD									
TITLE		PIL 54mm-J DIN 41612 Male Three row Right Angle Type		DRAWN BY		Lujunhui		18. 10. 30	
PART NO		L495XX-17XXX		CHECKED BY					
DRAWING NO				APPROVED BY					
SCALE	1:1	UNIT	mm		PAGE	1/1	SIZE	A4	