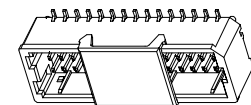
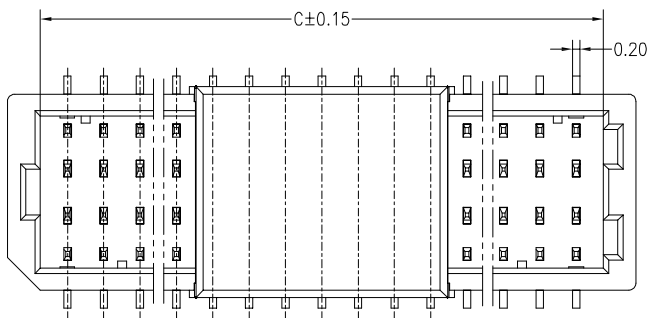
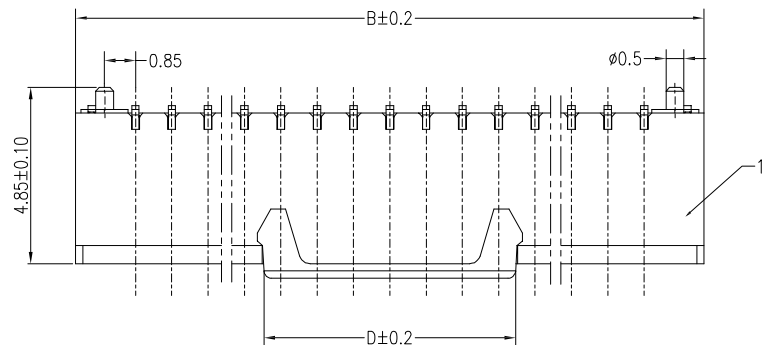
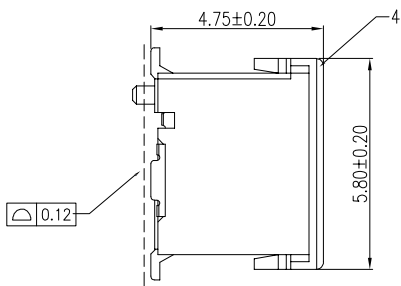
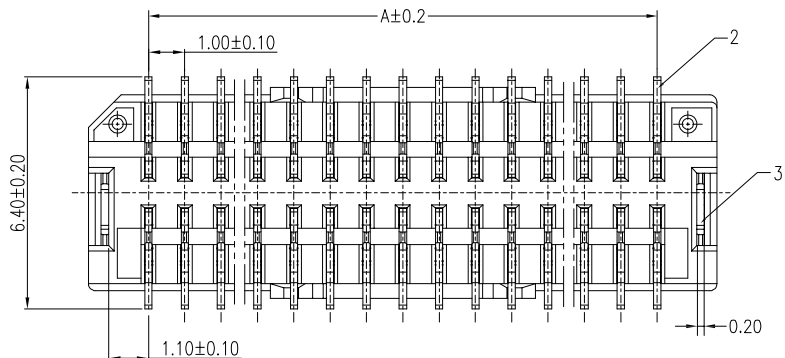


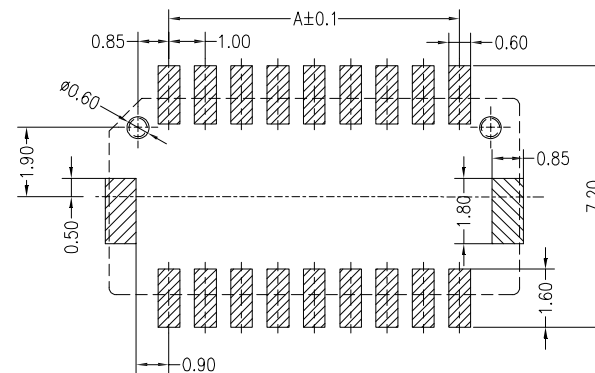
HSF RoHS



Poles	arrange	A	B	C	D
10	2x5	4.0	7.3	5.5	4.0
12	2x6	5.0	8.3	6.5	
20	2x10	9.0	12.3	10.5	7.0
22	2x11	10.0	13.3	11.5	
30	2x15	14.0	17.3	15.5	
40	2x20	19.0	22.3	20.5	
50	2x25	24.0	27.3	25.5	

REV	ECN NO	DESCRIPTION	DATE	NAME
A	—	NEW	11/25-'19	ZCD

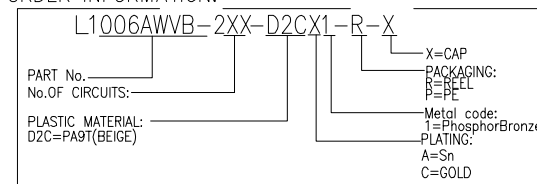
PCB LAYOUT



Main Specifications

- Poles: 10 to 50
- Contact resistance: ≤20m Ω
- Insulation resistance: ≥100M Ω
- Rated voltage: 50V AC DC
- Rated current: 1.0A AC DC
- Withstand Voltage: 500V AC/minute
- Temperature Range: -25°C ~ +85°C

ORDER INFORMATION:



ITEM	COMPONENT	Q'TY	MATERIAL	FINISH
4	CAP	1 PCS	PA9T	UL 94V-0, COLOR:BEIGE
3	SOLDER TAB	2 PCS	Barss	Sn plated
2	CONTACT	10~50 PCS	PhosphorBronze	Gold/Sn plated
1	HOUSING	1 PCS	PA9T	UL 94V-0, COLOR:BEIGE

LDCONN 东莞连大精密制品有限公司
连大 DongGuan LianDa Precision Products Co., LTD

TITLE	1.0mm Pitch 180° Wafer SMT TYPE	DRAWN BY	ZCD	DATE	11/25-'19
PART NO.	L1006 AWVB-2XX-D2CX1-R-X	CHECKED BY			
DRAWING NO.		APPROVED BY			
SCALE	1:1	UNIT	mm	PAGE	1/1
SIZE	A4				

STANDARD TOLERANCE (EXCEPT SPECIFIED)	
LINER	ANGLES
.0 ±0.30	0.° ±5°
.00 ±0.25	.0° ±2°
.000 ±0.10	.00° ±1°