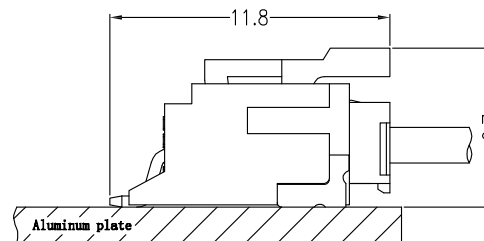
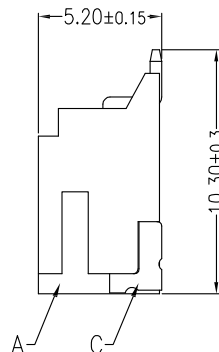
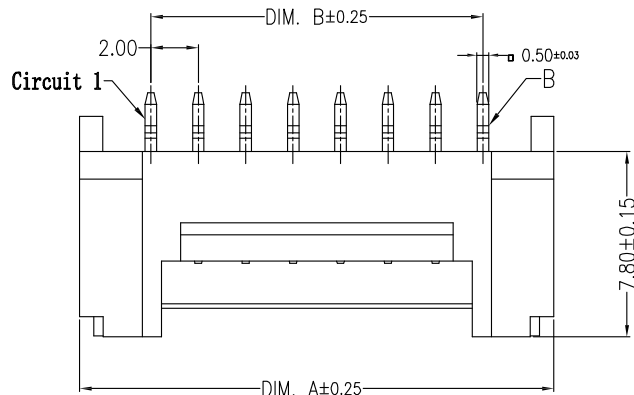


# HSF RoHS

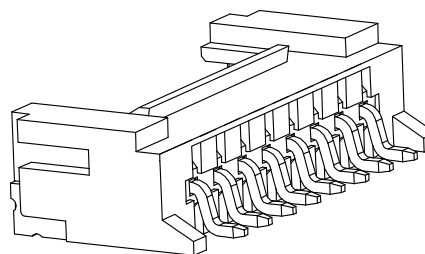
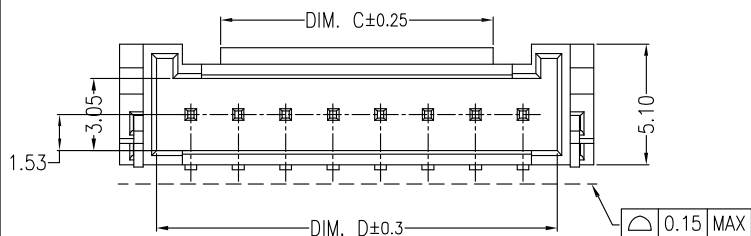
REV	ECN NO	DESCRIPTION	DATE	NAME
A		NEW	11/23-'19	HYJ



Assembly Layout

### Main Specifications

Poles: 02 to 16  
 Contact resistance:  $\leq 20m\ \Omega$   
 Insulation resistance:  $\geq 1000M\ \Omega$   
 Rated voltage: 250V AC DC  
 Rated current: 2.0A AC DC  
 Withstand Voltage: 1000V AC/minute  
 Temperature Range:  $-25^{\circ}C \sim +105^{\circ}C$

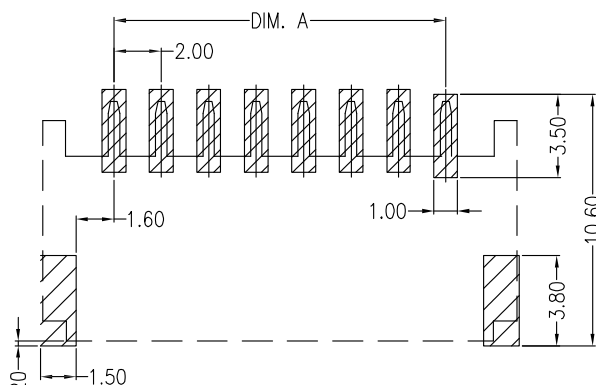


### ORDER INFORMATION:

**L2002AWR-XX-XXXA-R**

PART No. \_\_\_\_\_  
 No. OF CIRCUITS: \_\_\_\_\_  
 02~16  
 PLASTIC MATERIAL: \_\_\_\_\_  
 F2M=LCP (BEIGE)  
 C1C=PA6T (BEIGE)  
 D1K=PA9T (BLACK)

PACKAGING:  
 R=REEL  
 G=TUBE  
 P=PE  
 PLATING:  
 A=Sn



Board Layout  
 General Tolerance:  $\pm 0.05$

Circuits	Dimensions (mm)			
	DIM. A	DIM. B	DIM. C	DIM. D
02	8.00	2.00	2.70	4.75
03	10.00	4.00	3.20	6.75
04	12.00	6.00	3.50	8.90
05	14.00	8.00	5.50	10.90
06	16.00	10.00	7.50	12.90
07	18.00	12.00	9.50	14.90
08	20.00	14.00	11.50	16.90
09	22.00	16.00	13.50	18.90
10	24.00	18.00	15.50	20.90
11	26.00	20.00	15.50	22.90
12	28.00	22.00	15.50	24.90
13	30.00	24.00	15.50	26.90
14	32.00	26.00	15.50	28.90
15	34.00	28.00	15.50	30.90
16	36.00	30.00	15.50	32.90

STANDARD TOLERANCE  
 (EXCEPT SPECIFIED)

LINER	ANGLES
.0 $\pm 0.30$	$0^{\circ} \pm 3^{\circ}$
.00 $\pm 0.20$	$0^{\circ} \pm 2^{\circ}$
.000 $\pm 0.10$	$0.00^{\circ} \pm 1^{\circ}$

ITEM	COMPONENT	Q'TY	MATERIAL	FINISH
C	SOLDER TAB	2 PCS	Brass	Sn-plated
B	CONTACT	1~16 PCS	Brass	Sn-plated
A	PEDESTAL	1 PCS	LCP/PA6T/PA9T	UL 94V-0

## LDCONN 东莞连大精密制品有限公司 连大 DongGuan LianDa Precision Products Co., LTD

TITLE	2.00mm PITCH 90° WAFER SMT TYPE	DRAWN BY	HYJ	11/23-'19
PART NO	L2002AWR-XX-XXXA-R	CHECKED BY		
DRAWING NO		APPROVED BY		
SCALE	1:1	UNIT	mm	PAGE 1/1
				SIZE A4