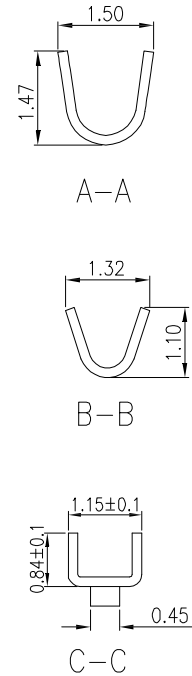
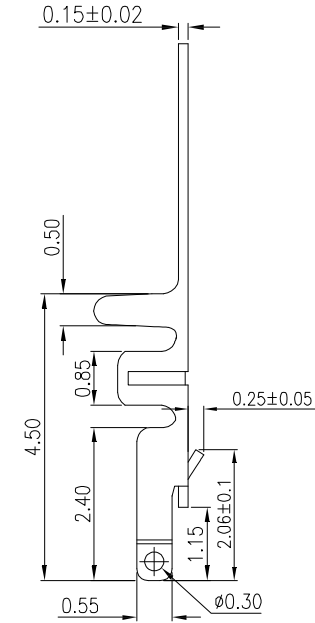
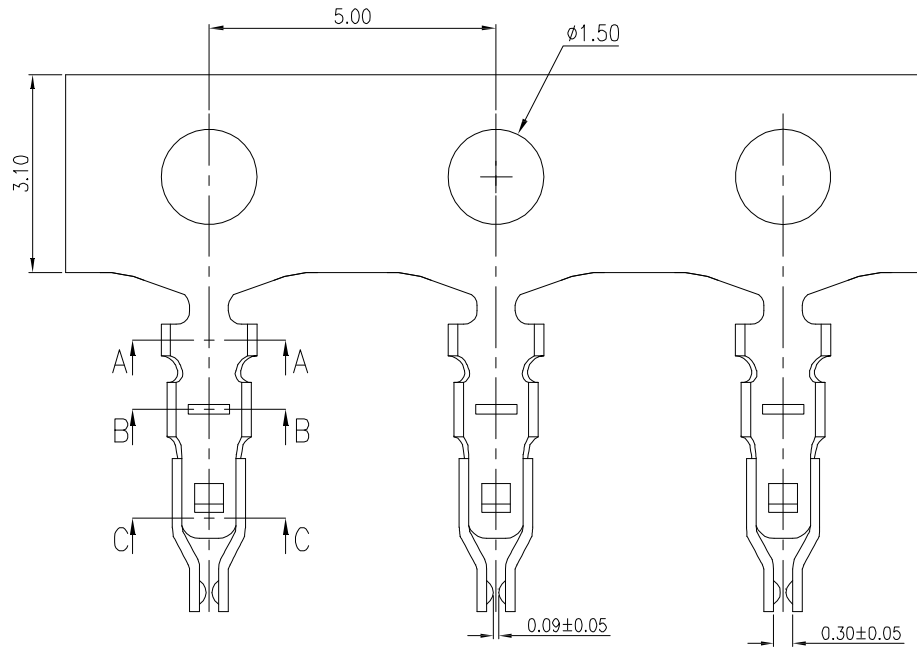


REV	ECN NO	DESCRIPTION	DATE	NAME
A	—	NEW	11/23-'19	LZM

**HSF RoHS**



**主要技术参数 Main Specifications**

- 接触电阻 (Contact resistance): ≤20m Ω
- 绝缘电阻 (Insulation resistance): ≥1000M Ω
- 额定电压 (Rated voltage): 250V AC DC
- 额定电流 (Rated current): 2.0A AC DC
- 耐电压 (Withstand Voltage): 1000V AC/minute
- 温度范围 (Temperature Range): -25°C~+85°C

**Ordering Information & Specification:**

Part No	Wire Range	Insulation O.D.	Material	Finish
L2503T-PA	AWG #26-#30	1.00mm (MAX)	Phosphor bronze	Nickel 20u~60u Over ALL. T-Tin 80u~120u Over Nickel G-Gold Flash (0.8u) Over Nickel

STANDARD TOLERANCE (EXCEPT SPECIFIED)	
LINER	ANGLES
.0 ±0.30	0.° ±3°
.00 ±0.25	.0° ±2°
.000 ±0.10	.00° ±1°

<b>LDCONN 东莞连大精密制品有限公司</b> DongGuan LianDa Precision Products Co., LTD									
TITLE		L2503T-02 Contact		DRAWN BY		LZM		11/23-'19	
PART NO		L2503T-02		CHECKED BY					
DRAWING NO		—		APPROVED BY					
SCALE	1:1	UNIT	mm		PAGE	1/1	SIZE	A4	