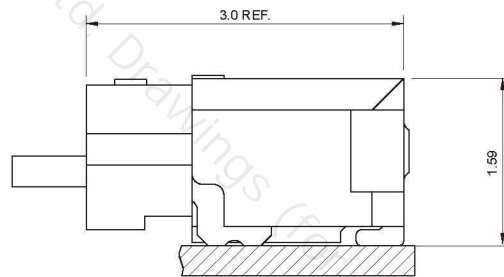
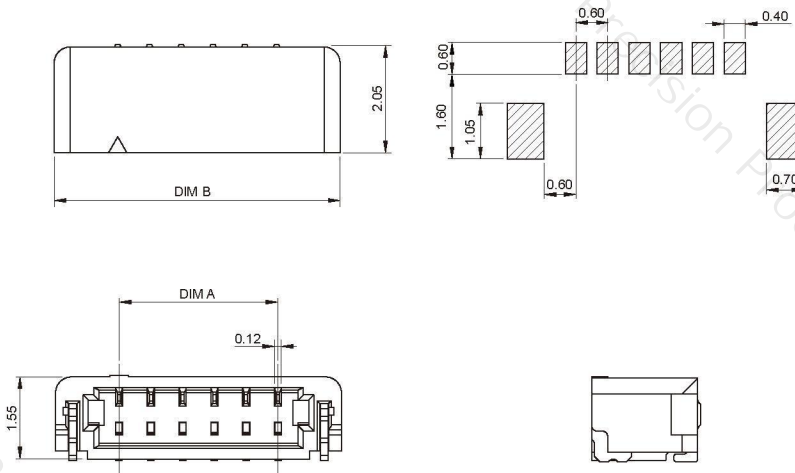
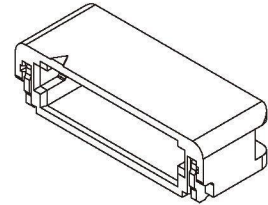
**■ Specifications**

- Contact resistance: $\leq 40\text{m}\Omega$
- Insulation resistance: $\geq 100\text{M}\Omega$
- Rated voltage: 30V AC DC
- Rated current: 0.2A AC DC
- Withstand voltage: 100V AC/minute
- Temperature range: $-25^{\circ}\text{C} \sim +85^{\circ}\text{C}$

■ Assembly Layout

A0601AWR (0.60mm pitch 90°Wafer SMT TYPE)

- Reference Information:
- Material: Pin: Phosphor Bronze/Tin-plated
- SolderTabs: Phosphor Bronze/Tin-plated
- Wafer: LCP,UL94V-0
- Mates with A0601 series Housing

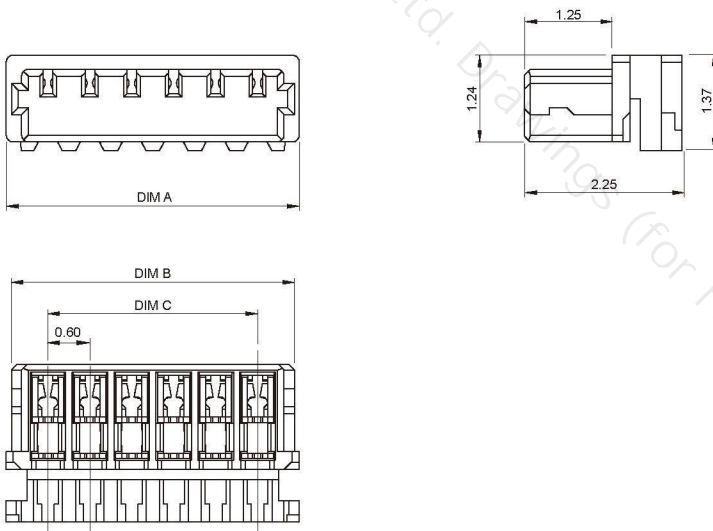
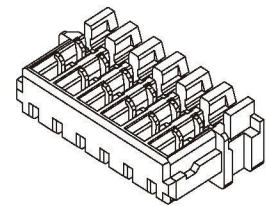


Ordering Information & Dimensions:

Circuit	Dimensions(mm)	
	A	B
02	0.60	3.00
04	1.80	4.20
05	2.40	4.80
06	3.00	5.40
07	3.60	6.00
08	4.20	6.60
10	5.40	7.80
12	6.60	9.00
14	7.80	10.20
16	9.00	11.40

A0601Y (0.60mm pitch Housing)

- Reference Information:
- Material: Housing: Thermoplastic,UL94V-0
- Contacts: Phosphor Bronze/Tin-plated
- Suitable A0601 series terminal
- Mates with A0601 series Wafer
- Applicable Wires: AWG#34~AWG#36



Ordering Information & Dimensions:

Circuit	Dimensions(mm)		
	A	B	C
02	1.80	1.65	0.60
04	3.00	2.85	1.80
05	3.60	3.45	2.40
06	4.20	4.05	3.00
07	4.80	4.65	3.60
08	5.40	5.25	4.20
10	6.60	6.45	5.40
12	7.80	7.65	6.60
14	9.00	8.85	7.80
16	10.20	10.05	9.00