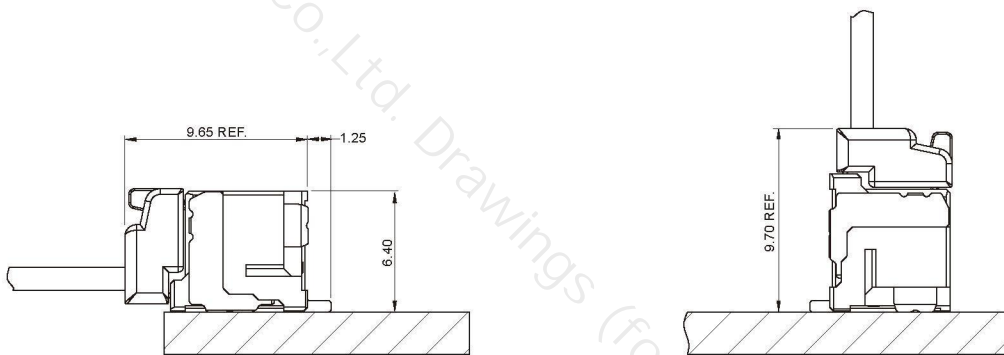


Specifications

- Contact resistance: $\leq 20\text{m}\Omega$
- Insulation resistance: $\geq 500\text{M}\Omega$
- Rated voltage: 100V AC DC
- Rated current: 2.0A AC DC
- Withstand voltage: 500V AC/minute
- Temperature range: $-40^{\circ}\text{C} \sim +105^{\circ}\text{C}$

Assembly Layout



WIRE TO BOARD

BOARD TO BOARD

WIRE TO WIRE

FPC SERIES

THR SERIES

LIGHTING SERIES

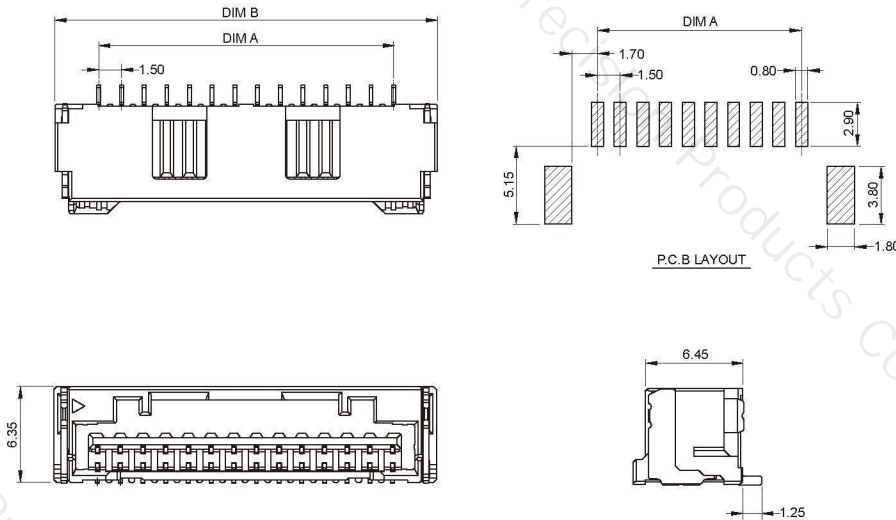
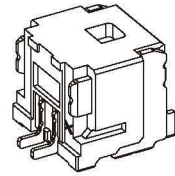
OTHER SERIES

A1506 SERIES

1.50mm pitch wire to board connector

A1506AWR (1.50mm pitch 90°Wafer SMT TYPE)

- Reference Information:
- Material: Pin: Phosphor Bronze/Tin-plated
- Solder Tabs: Brass/Tin-plated
- Wafer: LCP,UL94V-0
- Mates with A1506 series Housing

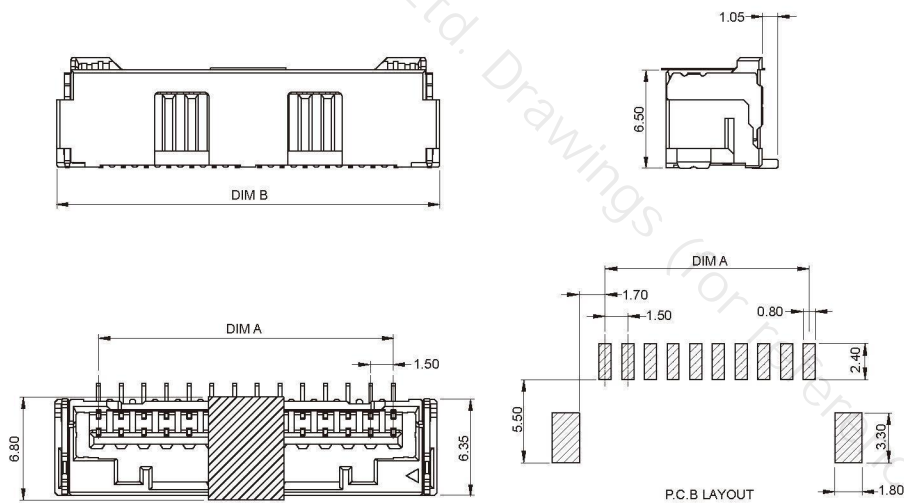
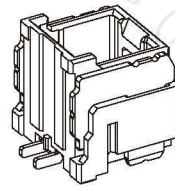


Ordering Information & Dimensions:

Circuit	Dimensions(mm)	
	A	B
02	1.50	7.30
03	3.00	8.80
04	4.50	10.30
05	6.00	11.80
06	7.50	13.30
07	9.00	14.80
08	10.50	16.30
09	12.00	17.80
10	13.50	19.30
11	15.00	20.80
12	16.50	22.30
13	18.00	23.80
14	19.50	25.30
15	21.00	26.80

A1506AWV (1.50mm pitch 180°Wafer SMT TYPE)

- Reference Information:
- Material: Pin: Phosphor Bronze/Tin-plated
- Solder Tabs: Brass/Tin-plated
- Wafer: LCP,UL94V-0
- Mates with A1506 series Housing



Ordering Information & Dimensions:

Circuit	Dimensions(mm)	
	A	B
02	1.50	7.30
03	3.00	8.80
04	4.50	10.30
05	6.00	11.80
06	7.50	13.30
07	9.00	14.80
08	10.50	16.30
09	12.00	17.80
10	13.50	19.30
11	15.00	20.80
12	16.50	22.30
13	18.00	23.80
14	19.50	25.30
15	21.00	26.80

A1506 SERIES

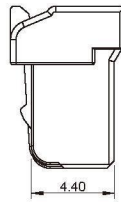
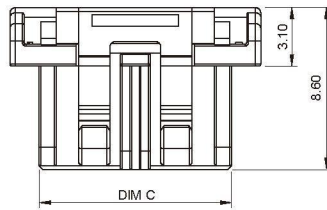
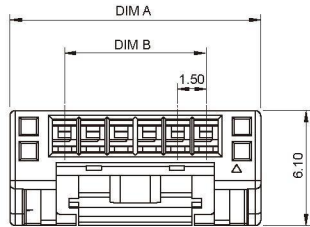
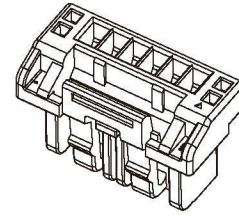
1.50mm pitch wire to board connector

A1506Y (1.50mm pitch Housing)

■ Reference Information:

Material: PBT,UL94V-0

Mates with A1506 series Wafer



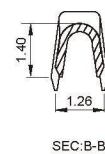
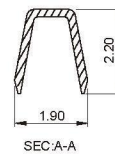
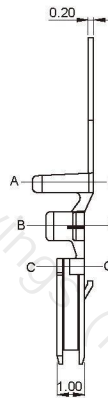
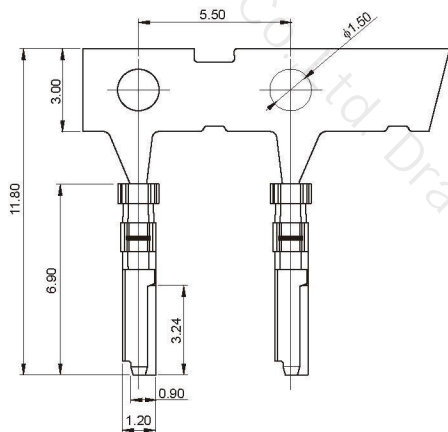
Ordering Information & Dimensions:

Circuit	Dimensions(mm)		
	A	B	C
02	7.30	1.50	4.20
03	8.80	3.00	5.70
04	10.30	4.50	7.20
05	11.80	6.00	8.70
06	13.30	7.50	10.20
07	14.80	9.00	11.70
08	16.30	10.50	13.20
09	17.80	12.00	14.70
10	19.30	13.50	16.20
11	20.80	15.00	17.70
12	22.30	16.50	19.20
13	23.80	18.00	20.70
14	25.30	19.50	22.20
15	26.80	21.00	23.70

A1506T (1.50mm pitch Terminal)

■ Reference Information:

Used in A1506 series Housing



Ordering Information & Dimensions:

Part No	Wire Range	Insulation O.D.	Material	Finish	Qty/Reel
A1506T	AWG #24~#28	1.28mm(max)	Phosphor bronze	Tin-plated	10000PCS

WIRE TO BOARD

BOARD TO BOARD

WIRE TO WIRE

FPC SERIES

THR SERIES

LIGHTING SERIES

OTHER SERIES