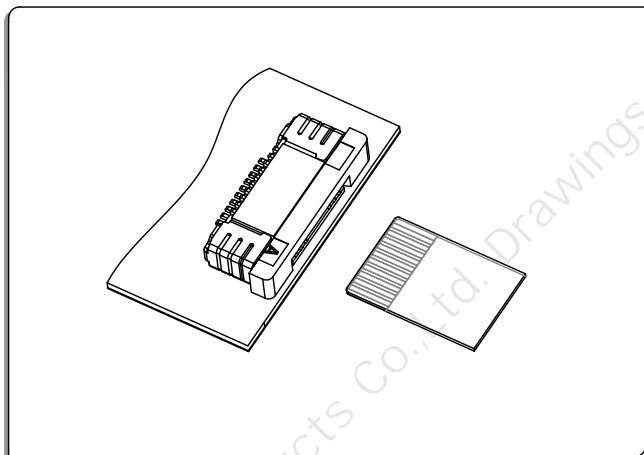


LW0520 Connector 0.5mm Pitch H2.0

FPC
0.5

LW0520 Connector 0.5mm Pitch

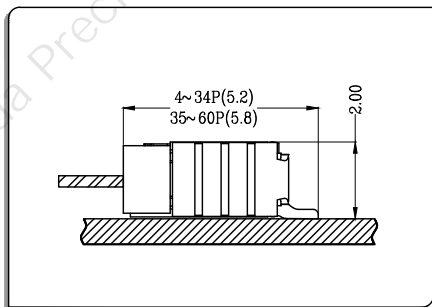


● 技术参数 SPECIFICATIONS

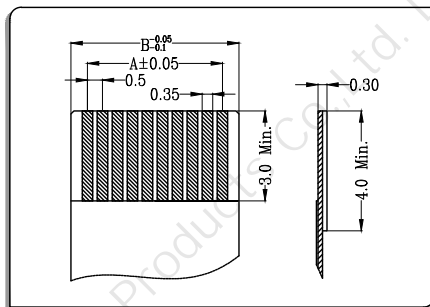
- 1、极数CKT: 4Pin to 60Pin
- 2、额定电流Current rating: 0.5A AC/DC
- 3、额定电压Voltage rating(max): 50V, AC/DC
- 4、工作温度Working Temperature: -25℃~+85℃, (含通电温度上升值)
(Including temperature rise in applying electrical current)
- 5、接触电阻Contact resistance: 初始Initial value $\leq 30m\Omega$
环境测试后After environmental testing $\leq 50m\Omega$
- 6、绝缘电阻Insulation resistance: $\geq 500M\Omega$
- 7、耐电压Withstand voltage: 500VAC(rms)
- 8、适用基板厚度Applicable PC board thickness: 1.6mm to 2.0mm

● 安装尺寸 Mounting Measurement

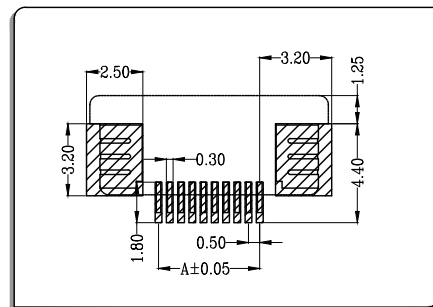
● Assembly Layout



● Applicable Flat Cable

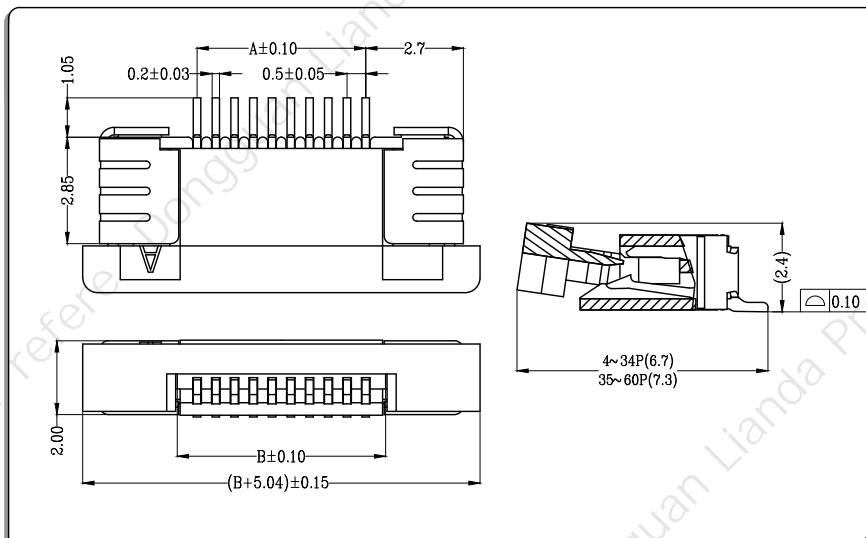


● P.C.B Layout



● 拉拔卧式下接触(抽屉式) ZIF R/A Down contact

- 材料与表面处理 Material and Finish:
Housing:LCP UL94V-0 & Terminal:phosphor bronze &
Fitting:Brass; Finish:Tin-plated & Gold-plated



CKT	Part No.	DIM A	DIM B
4	LW05202-04	1.50	2.56
5	LW05202-05	2.00	3.06
6	LW05202-06	2.50	3.56
7	LW05202-07	3.00	4.06
8	LW05202-08	3.50	4.56
9	LW05202-09	4.00	5.06
10	LW05202-10	4.50	5.56
11	LW05202-11	5.00	6.06
12	LW05202-12	5.50	6.56
13	LW05202-13	6.00	7.06
14	LW05202-14	6.50	7.56
--	-- --	--	--
60	LW05202-60	29.50	30.56