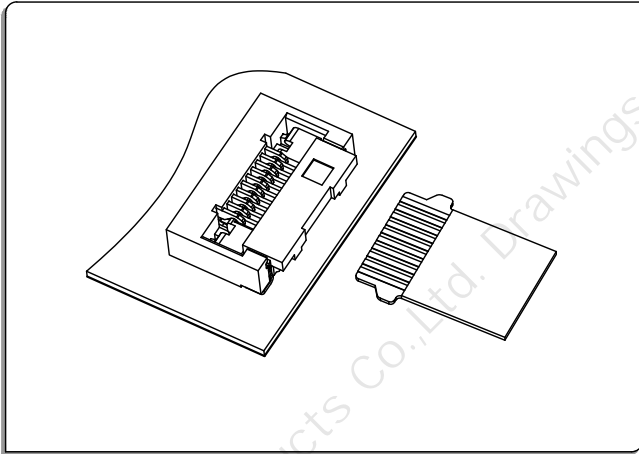


XW0525 Connector 0.5mm Pitch H2.55 定制蝴蝶扣

FPC
0.5mm

XW0522 Connector 0.5mm Pitch

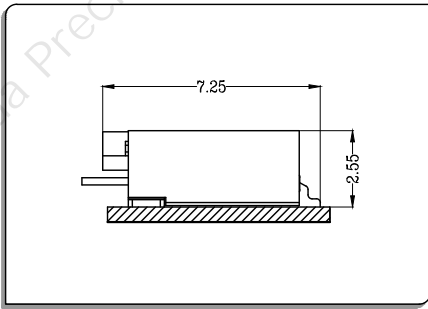


● 技术参数 SPECIFICATIONS

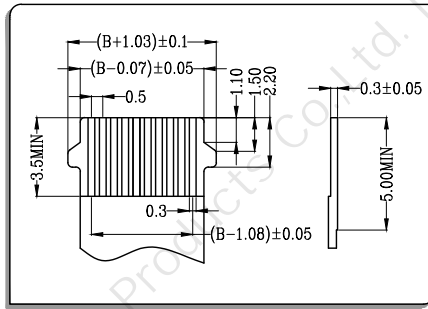
- 1、极数CKT: 5Pin to 80Pin
- 2、额定电流Current rating: 0.5A AC/DC
- 3、额定电压Voltage rating(max): 50V, AC/DC
- 4、工作温度Working Temperature: -25°C~+85°C, (含通电温度上升值)
(Including temperature rise in applying electrical current)
- 5、接触电阻Contact resistance:value $\leq 50m\Omega$
- 6、绝缘电阻Insulation resistance: $\geq 500M\Omega$
- 7、耐电压Withstand voltage: 150VAC(rms)
- 8、适用基板厚度Applicable PC board thickness: 1.6mm to 2.0mm

● 安装尺寸 Mounting Measurement

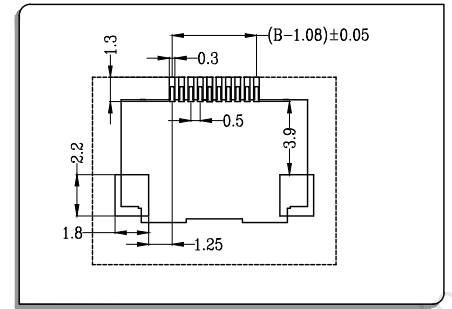
● Assembly Layout



● Applicable Flat Cable



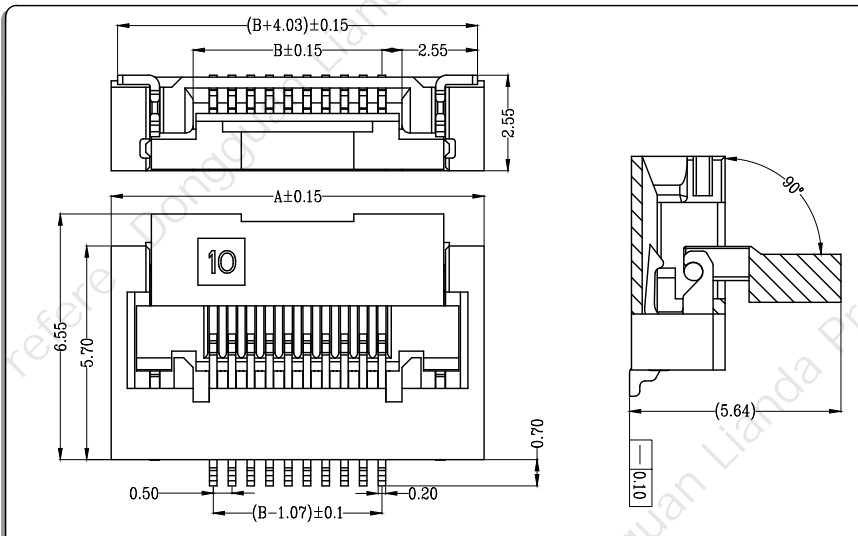
● P.C.B Layout



● 掀盖卧式(定制蝴蝶扣) Easy-on R/A Customized Butterfly buckle

● 材料与表面处理 Material and Finish:

Housing:LCP UL94V-0 & Terminal:phosphor bronze & Fitting:Brass; Finish:Tin-plated & Gold-plated



| CKT | Part No | DIM A | DIM B |
|-----|------------|-------|-------|
| 5 | XW05252-05 | 7.45 | 3.07 |
| 6 | XW05252-06 | 7.95 | 3.57 |
| 7 | XW05252-07 | 8.45 | 4.07 |
| 8 | XW05252-08 | 8.95 | 4.57 |
| 9 | XW05252-09 | 9.45 | 5.07 |
| 10 | XW05252-10 | 9.95 | 5.57 |
| 11 | XW05252-11 | 10.45 | 6.07 |
| 12 | XW05252-12 | 10.95 | 6.57 |
| 13 | XW05252-13 | 11.45 | 7.07 |
| 14 | XW05252-14 | 11.95 | 7.57 |
| 15 | XW05252-15 | 12.45 | 8.07 |
| -- | -- | -- | -- |
| 80 | XW05252-80 | 44.95 | 40.57 |