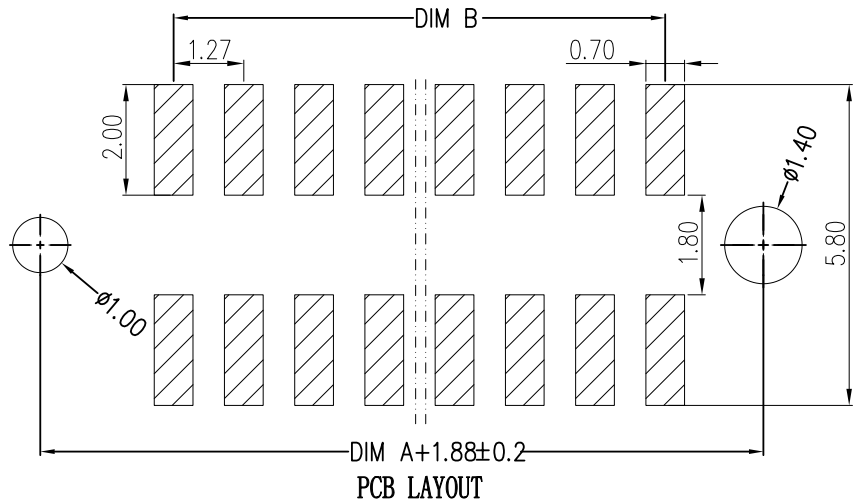
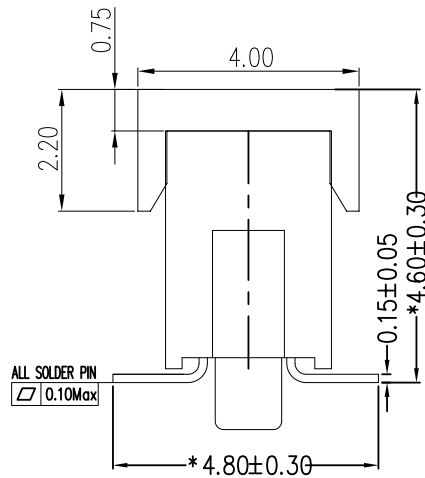
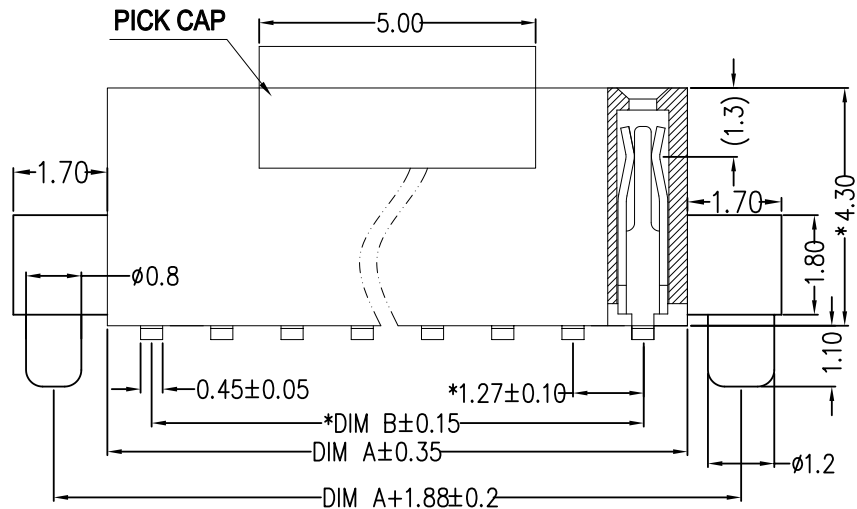
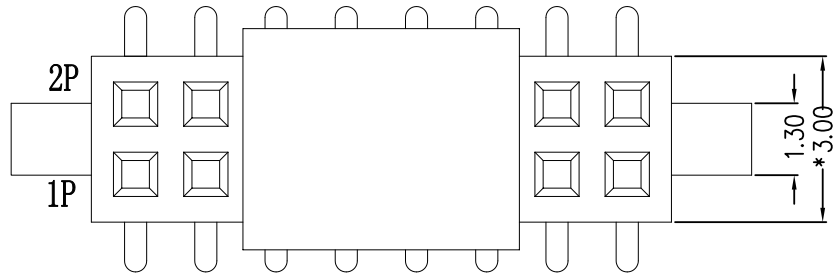


HSF RoHS

REV	ECN NO	DESCRIPTION	DATE	NAME
A		NEW	04/12-'22	LZR



Specifications

- 规范**
- Current Rating: 1.0Amps
额定电流:1.0安培
 - rated voltage: 125V AC/DC
额定电压:125V AC/DC
 - Insulation Resistance: 1000 MΩ Min
绝缘电阻:最小1000 MΩ
 - Dielectric withstanding Voltage: 500V AC
耐电压:500V AC
 - Contact Resistance: 20 mΩ Max
接触电阻:最大20 mΩ
 - Operating Temperature: -40°C to +105°C
工作温度:-40°C ~ +105°C
 - Contact Material: Phosphor Bronze
接触材质:磷铜
 - Plating: Au G/F
电镀:金 G/F
 - Insulation Material: PA6T,UL94V-0,Black
绝缘材料:PA6T,UL94V-0,黑色
 - Marked "*" symbol are major dimensions
标有"*"符号为主要尺寸
 - Packing: 62PCS/Tube;
包装: 62PCS/管;

Ordering Information

LFH 127 X XX X XXXX

Code	Pitch	Rows	PIN Number	Packing	Serial No
FH:FEMALE HEADER 排母	100: 1.0 127: 1.27 200: 2.0 250: 2.5 254: 2.54	1:1Row单排 2:2Row双排 3:3Row三排 4:4Row四排	1~99 (Per Row每排)	A:PE Bag 袋装 B:Tube 管装 C:Tray 盘装 D:Reel 卷装 E:Bag and Box 袋加盒 F:Other其他	0001~9999

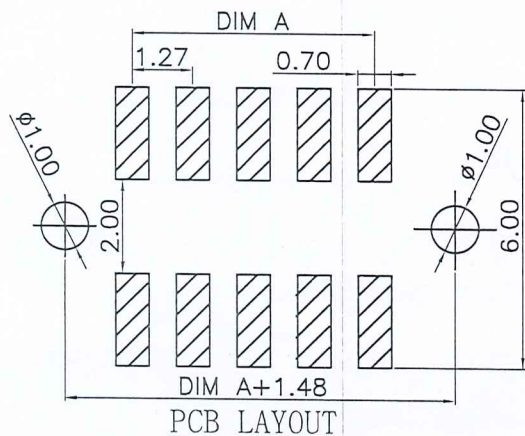
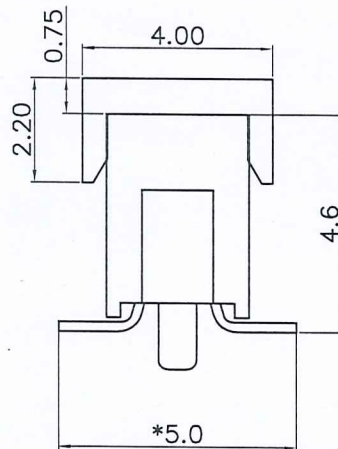
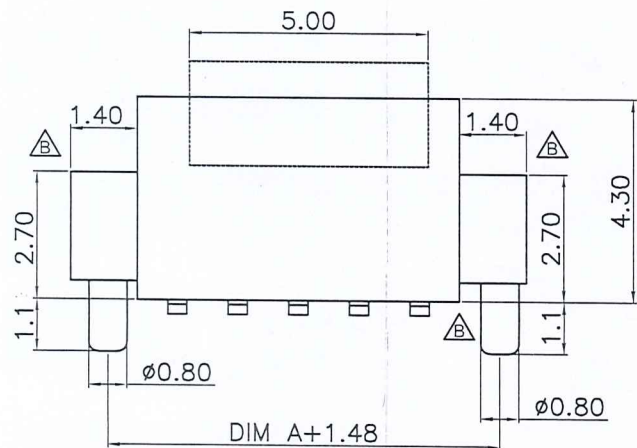
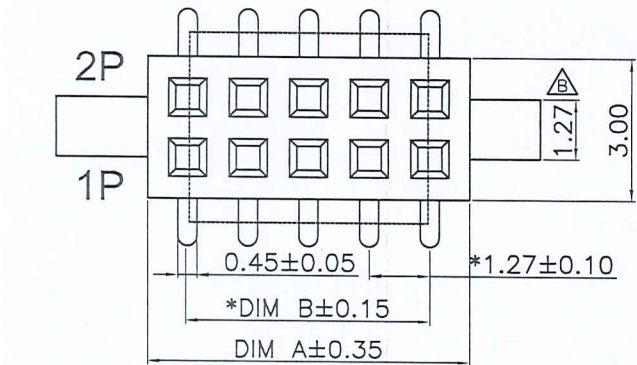
PIN	DIM A	DIM B
2x1P	1.67	
2x2P	2.94	1.27
2x3P	4.21	2.54
2x4P	5.48	3.81
2x5P	6.75	5.08
2x6P	8.02	6.35
2x7P	9.29	7.62
2x8P	10.56	8.89
2x9P	11.83	10.16
2x10P	13.10	11.43
2x11P	14.37	12.70
2x12P	15.64	13.97
2x13P	16.91	15.24
2x14P	18.18	16.51
2x15P	19.45	17.78
2x16P	20.72	19.05
2x17P	21.99	20.32
2x18P	23.26	21.59
2x19P	24.53	22.86
2x20P	25.80	24.13
2x21P	27.07	25.4
2x22P	28.34	26.67
2x23P	29.61	27.94
2x24P	30.88	29.21
2x25P	32.15	30.48
2x26P	33.42	31.75
2x27P	34.69	33.02
2x28P	35.96	34.29
2x29P	37.23	35.56
2x30P	38.50	36.83
2x31P	39.77	38.10
2x32P	41.04	39.37
2x33P	42.31	40.64
2x34P	43.58	41.91
2x35P	44.85	43.18
2x36P	46.12	44.45
2x37P	47.39	45.72
2x38P	48.66	46.99
2x39P	49.93	48.26
2x40P	51.20	49.53

LDCONN 东莞连大精密制品有限公司
DongGuan LianDa Precision Products Co., LTD

TOLERANCE UNLESS OTHERWISE SPECIFIED	
LINER	ANGLES
.0 ±0.30	0.° ±3°
.00 ±0.20	.0° ±2°
.000 ±0.10	.00° ±1°

TITLE	PH1.27X4.3 2X5P SMT 双排排母U型,带吸取帽,带外柱	DRAWN BY	LZR	04/12-'22
PART NO	LFH127205B0001	CHECKED BY	工程 7-11-22 朱磊	
DRAWING NO		APPROVED BY	工程 7-11-22 周晓	
SCALE	1:1	UNITE	mm	PAGE 1/1
				SIZE A4

HSF RoHS



REV	ECN NO	DESCRIPTION	DATE	NAME
A	—	NEW	06/20-'23	LJS
B	—	大小柱统一变更为小柱,变更尺寸	09/16-'23	Steven

Specifications

- 规范
- Current Rating: 1.0Amps
额定电流:1.0安培
 - rated voltage: 125V AC/DC
额定电压:125V AC/DC
 - Insulation Resistance: 1000 MΩ Min
绝缘电阻:最小1000 MΩ
 - Dielectric withstanding Voltage: 500V AC
耐电压:500V AC
 - Contact Resistance: 20 mΩ Max
接触电阻:最大20 mΩ
 - Operating Temperature: -40°C to +105°C
工作温度:-40°C ~ +105°C
 - Contact Material: Phosphor Bronze
接触材质:磷铜
 - Plating: Au G/F
电镀:金 G/F
 - Insulation Material: PA6T,UL94V-0,Black
绝缘材料:PA6T,UL94V-0,黑色
 - Marked "*" symbol are major dimensions
标有"*"符号为主要尺寸
 - Packing: 850PCS/卷;
包装: 850PCS/Reel;

PIN	DIM A	DIM B
2x1P	1.67	1.27
2x2P	2.94	1.27
2x3P	4.21	2.54
2x4P	5.48	3.81
2x5P	6.75	5.08
2x6P	8.02	6.35
2x7P	9.29	7.62
2x8P	10.56	8.89
2x9P	11.83	10.16
2x10P	13.10	11.43
2x11P	14.37	12.70
2x12P	15.64	13.97
2x13P	16.91	15.24
2x14P	18.18	16.51
2x15P	19.45	17.78
2x16P	20.72	19.05
2x17P	21.99	20.32
2x18P	23.26	21.59
2x19P	24.53	22.86
2x20P	25.80	24.13
2x21P	27.07	25.4
2x22P	28.34	26.67
2x23P	29.61	27.94
2x24P	30.88	29.21
2x25P	32.15	30.48
2x26P	33.42	31.75
2x27P	34.69	33.02
2x28P	35.96	34.29
2x29P	37.23	35.56
2x30P	38.50	36.83
2x31P	39.77	38.10
2x32P	41.04	39.37
2x33P	42.31	40.64
2x34P	43.58	41.91
2x35P	44.85	43.18
2x36P	46.12	44.45
2x37P	47.39	45.72
2x38P	48.66	46.99
2x39P	49.93	48.26
2x40P	51.20	49.53

Ordering Information

LPH 127 X XX X XXXX

Code	Pitch	Rows	PIN Number	Packing	Serial No
PH: PIN HEADER 排针	100: 1.0	1: 1Row单排	1: PIN数	A: PE Bag 袋装	0001~9999
FH: FEMALE HEADER 排母	127: 1.27	2: 2Row双排	~99	B: Tube 管装	
BH: EJECTOR HEADER 筒牛	200: 2.0	3: 3Row三排	(Per Row每排)	C: Tray 盘装	
EH: BOX HEADER 牛角	250: 2.5	4: 4Row四排		D: Reel 卷装	
	254: 2.54			E: Bag and Box 袋加盒	
				F: Other 其他	

LDCONN 东莞连大精密制品有限公司
DongGuan LianDa Precision Products Co., LTD

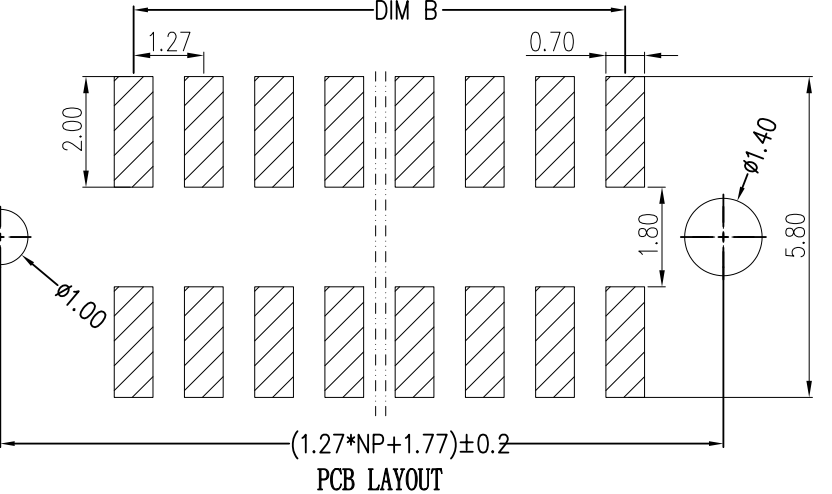
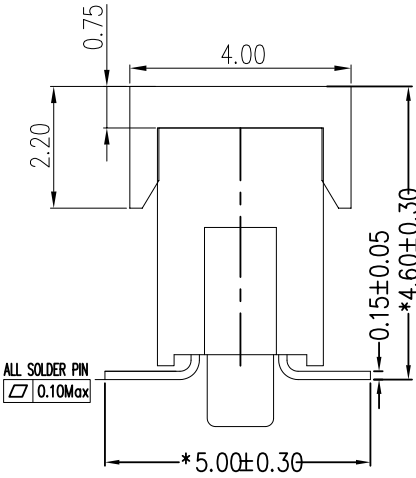
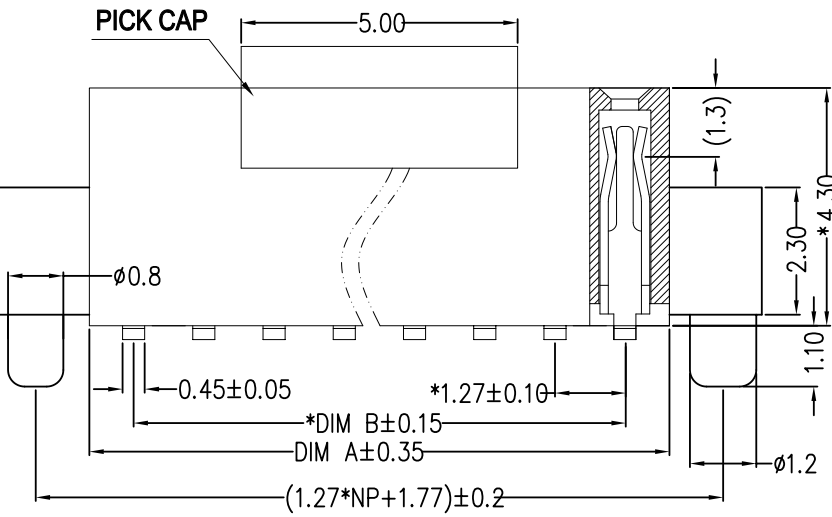
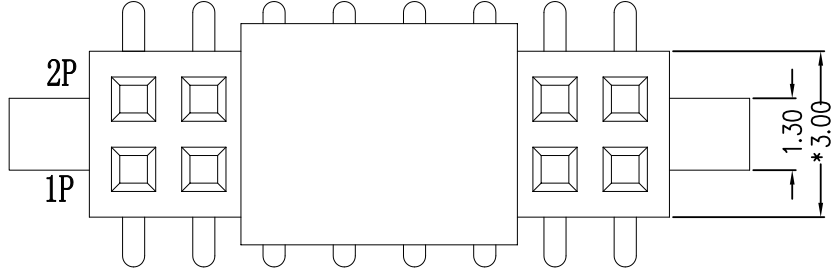
STANDARD TOLERANCE
(EXCEPT SPECIFIED)

LINER	ANGLES
.0 ±0.30	.0° ±3°
.00 ±0.20	.0° ±2°
.000 ±0.10	.00° ±1°

TITLE	PH1.27X4.3 2X5P SMT 排母U型带帽带外柱	DRAWN BY	LJS	06/20-'23
PART NO	LFH127205D0010	CHECKED BY	ZL	10/25-'23
DRAWING NO	—	APPROVED BY	ZX	10/25-'23
SCALE	1:1	UNIT	mm	PAGE 1/1
				SIZE A4

HSF RoHS

REV	ECN NO	DESCRIPTION	DATE	NAME
A		NEW	04/12-'22	LZR



Specifications

- 规范**
- Current Rating: 1.0Amps
额定电流:1.0安培
 - rated voltage: 125V AC/DC
额定电压:125V AC/DC
 - Insulation Resistance: 1000 MΩ Min
绝缘电阻:最小1000 MΩ
 - Dielectric withstanding Voltage: 500V AC
耐电压:500V AC
 - Contact Resistance: 20 mΩ Max
接触电阻:最大20 mΩ
 - Operating Temperature: -40°C to +105°C
工作温度:-40°C ~ +105°C
 - Contact Material: Phosphor Bronze
接触材质:磷铜
 - Plating: Au G/F"
电镀:金 G/F"
 - Insulation Material: PA6T,UL94V-0,Black
绝缘材料:PA6T,UL94V-0,黑色
 - Marked "*" symbol are major dimensions
标有"*"符号为主要尺寸
 - Packing: 800PCS/Reel;
包装: 800PCS/卷装;

PIN	DIM A	DIM B
2x1P	1.77	
2x2P	3.04	1.27
2x3P	4.31	2.54
2x4P	5.58	3.81
2x5P	6.85	5.08
2x6P	8.12	6.35
2x7P	9.39	7.62
2x8P	10.66	8.89
2x9P	11.93	10.16
2x10P	13.20	11.43
2x11P	14.47	12.70
2x12P	15.74	13.97
2x13P	17.01	15.24
2x14P	18.28	16.51
2x15P	19.55	17.78
2x16P	20.82	19.05
2x17P	22.09	20.32
2x18P	23.36	21.59
2x19P	24.63	22.86
2x20P	25.90	24.13
2x21P	27.17	25.4
2x22P	28.44	26.67
2x23P	29.71	27.94
2x24P	30.98	29.21
2x25P	32.25	30.48
2x26P	33.52	31.75
2x27P	34.79	33.02
2x28P	36.06	34.29
2x29P	37.33	35.56
2x30P	38.60	36.83
2x31P	39.87	38.10
2x32P	41.14	39.37
2x33P	42.41	40.64
2x34P	43.68	41.91
2x35P	44.95	43.18
2x36P	46.22	44.45
2x37P	47.49	45.72
2x38P	48.76	46.99
2x39P	50.03	48.26
2x40P	51.30	49.53

Ordering Information

LFH 127 X XX X XXXX

Code	Pitch	Rows	PIN Number	Packing	Serial No
FH:FEMALE HEADER 排母	100:1.0 127:1.27 200:2.0 250:2.5 254:2.54	1:1Row单排 2:2Row双排 3:3Row三排 4:4Row四排	1~99 (Per Row每排)	A:PE Bag 袋装 B:Tube 管装 C:Tray 盘装 D:Reel 卷装 E:Bag and Box 袋加盒 F:Other其他	0001~9999

LDCONN 东莞连大精密制品有限公司
DongGuan LianDa Precision Products Co., LTD

TOLERANCE UNLESS OTHERWISE SPECIFIED	
LINER	ANGLES
.0 ±0.30	0.° ±3°
.00 ±0.20	.0° ±2°
.000 ±0.10	.00° ±1°

TITLE	PH1.27X4.3 2X22P SMT 双排排母U型,带吸取帽,带外柱	DRAWN BY	LZR	04/12-'22
PART NO	LFH127222D0001	CHECKED BY	工程 7-11-22 朱磊	
DRAWING NO		APPROVED BY	工程 7-11-22 周晓	
SCALE	1:1	UNITE	mm	PAGE 1/1
				SIZE A4

HSF RoHS

REV	ECN NO	DESCRIPTION	DATE	NAME
A	—	NEW	8/23-'19	HRJ
B	—	旧料号L30443-2024190D	03/09-'24	LJS

规范

Specifications

- 额定电流:1.0安培
Current Rating: 1.0Amps
- 额定电压:125V AC/DC
rated voltage: 125V AC/DC
- 绝缘电阻:1000 MΩ最小
Insulation Resistance: 1000 MΩ Min
- 耐电压:500V AC
Dielectric withstanding Voltage: 500V AC
- 接触电阻:20 mΩ最大
Contact Resistance: 20 mΩ Max
- 工作温度:-40°C ~ +105°C
Operating Temperature: -40°C to+105°C
- 接触材质:磷铜
Contact Material: Phosphor bronze
- 电镀: 足金1u" 加镍底
Plating: Pure gold 1u" Over Ni
- 绝缘材料:LCP,UL94V-0,黑色
Insulation Material: LCP,UL94V-0,Black
- 标有"*"符号为主要尺寸
Marked "*" symbol are major dimensions
- 包装:800PCS/卷
Packing: 800PCS/Reel

Ordering Information

LFH 127 X XX X XXXX

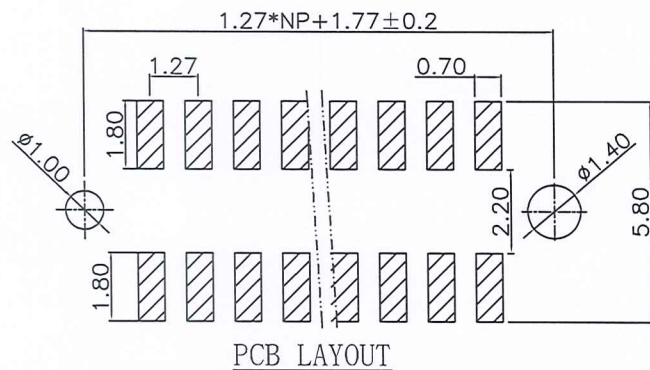
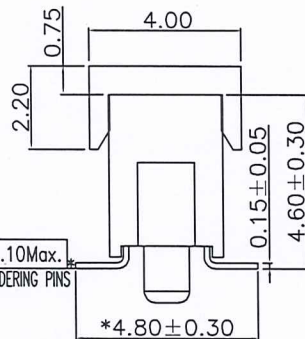
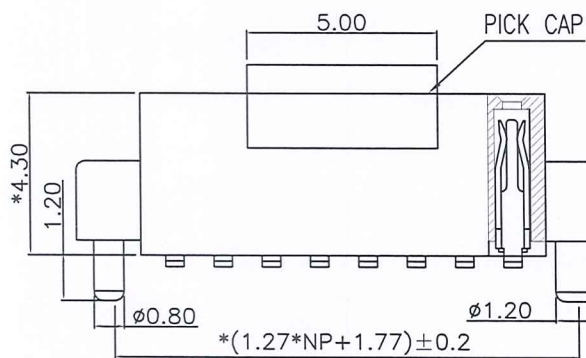
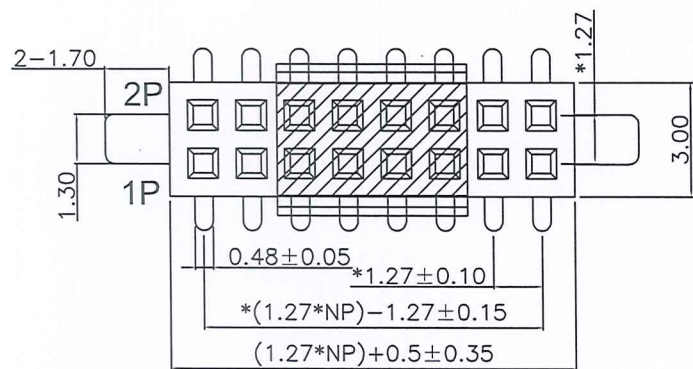
Code	Pitch	Rows	PIN Number	Packing	Serial No
PH:PIN HEADER 排针	100: 1.0	1:1Row 单排	PIN数	A:PE Bag 袋装	0001~9999
PH:FEMALE HEADER 排母	127: 1.27	2:2Row 双排	1~99	B:Tube 管装	
BH:EJECTOR HEADER 筒啤	200: 2.0	3:3Row 三排	(Per Row每排)	C:Tray 盘装	
EH:BOX HEADER 牛角	250: 2.5	4:4Row 四排		D:Reel 卷装	
	254: 2.54			E:Bag and Box 袋加盒	
				F:Other其他	



LDCONN 东莞连大精密制品有限公司
DongGuan LianDa Precision Products Co., LTD

TITLE	PH1.27X4.3 2X20P SMT 排母 U型 带外柱, 吸取帽 镀金足1u"	DRAWN BY	HRJ	8/23-'19
PART NO.	LFH127220D0004	CHECKED BY	ZL	9/1-'24
DRAWING NO.	—	APPROVED BY	ZX	4/1-'24
SCALE	1:1	UNIT	mm	PAGE 1/1
				SIZE A4

STANDARD TOLERANCE (EXCEPT SPECIFIED)	
LINER	ANGLES
.0 ±0.30	0.° ±3°
.00 ±0.20	.0° ±2°
.000 ±0.10	.00° ±1°



HSF RoHS

REV	ECN NO	DESCRIPTION	DATE	NAME
A		NEW		

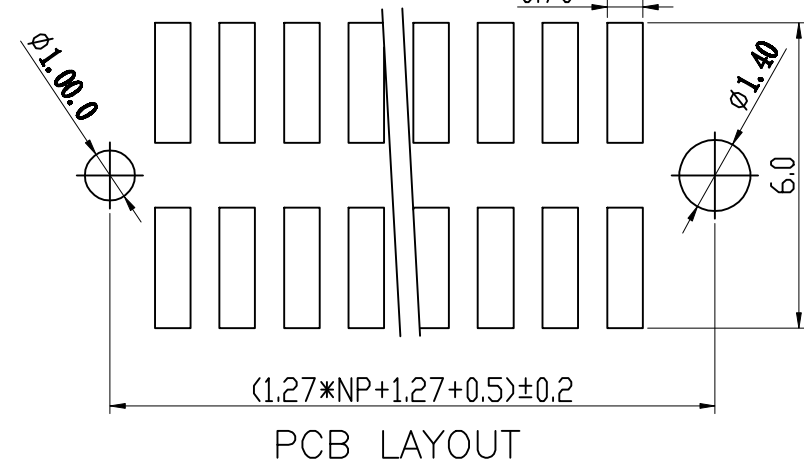
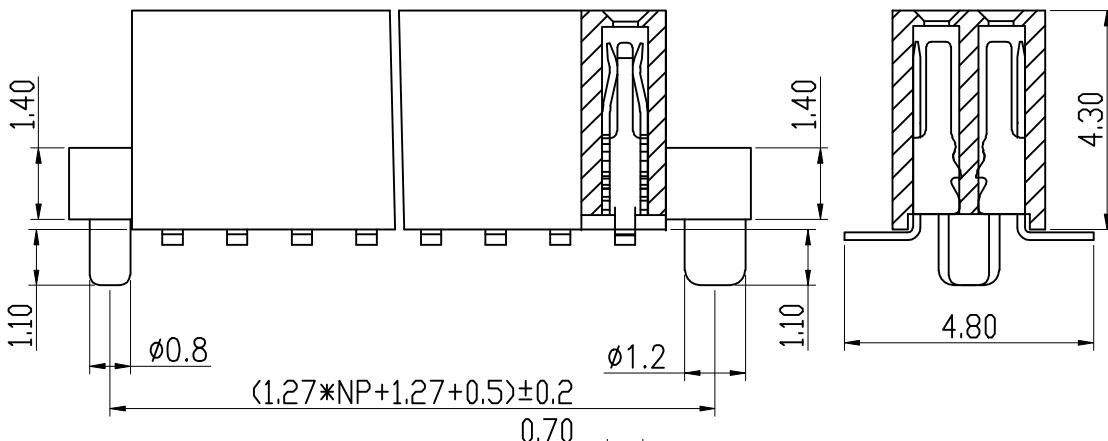
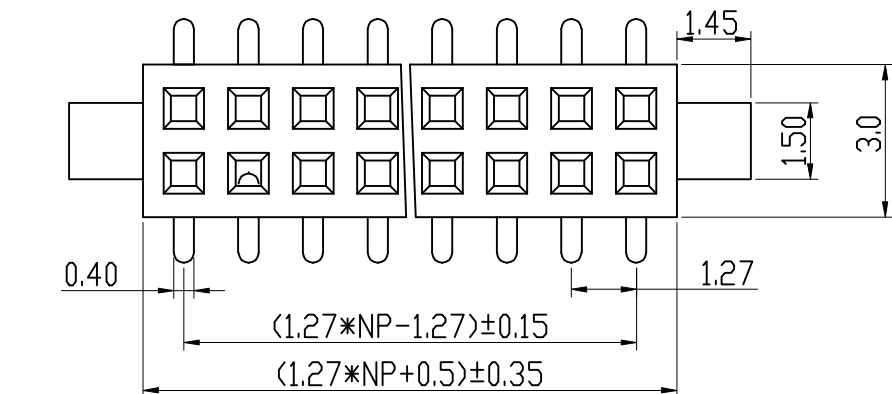
Specifications

1. Current Rating: 1Amps
2. Contact Resistance: 20mΩ
3. Insulator Resistance: 1000 Megohms min.
4. Dielectric withstanding Voltage: AC/DC 500V
5. Operating Temperature: -40℃ to +105℃
6. Contact Material: phosphor Bronze
7. Insulator Material: As follows
8. Plated: As follows

Ordering Information

L304 XX -XX 2 X X XX X

Insulation Height*Wide (H*W) Option: 43=4.3*3.0	NO. of Pins Per Row: 1-50P	Insulation Material Option: 1=PBT 2=PPS 3=NY6T 4=LCP 5=NY66 6=Customized 7=NY46 8=NY9T	Contact Plating 0=0.8" Gold 1=Au1" Gold 2=Au1.5" Gold 3=Au2" Gold 4=Au3" Gold 5=Au5" Gold 6=Customized 7=Gold/Tin 8=Tin	Serial NO. 01-69(No pillars) 70-89(pillars) 90-99(outside pillars)	Packing A=PE Bag B=Tube C=Tray D=Reel
---	-------------------------------	---	--	---	---



STANDARD TOLERANCE (EXCEPT SPECIFIED)			
LINER		ANGLES	
.0	±0.30	0.°	±3°
.00	±0.20	.0°	±2°
.000	±0.10	.00°	±1°

LDCONN 东莞连大精密制品有限公司 DongGuan LianDa Precision Products Co., LTD					
TITLE	PH1.27mm 2XNP SMT Dual row Female Header with Outer Post	DRAWN BY	Lujunhui	18.04.01	
PART NO	L304XX-XX2XXXXX	CHECKED BY			
DRAWING NO		APPROVED BY			
SCALE	1:1	UNIT	mm	PAGE	1/1
				SIZE	A4