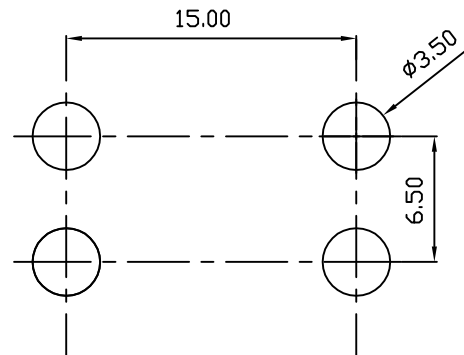
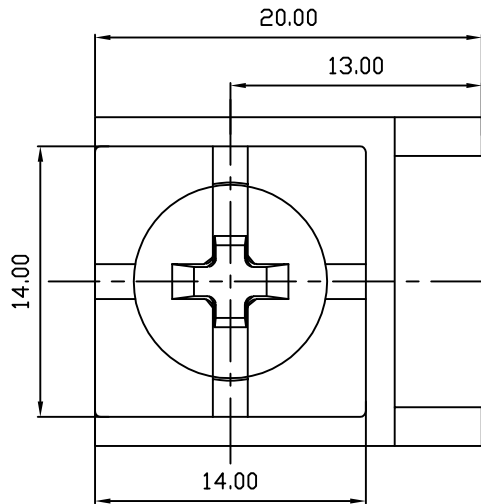
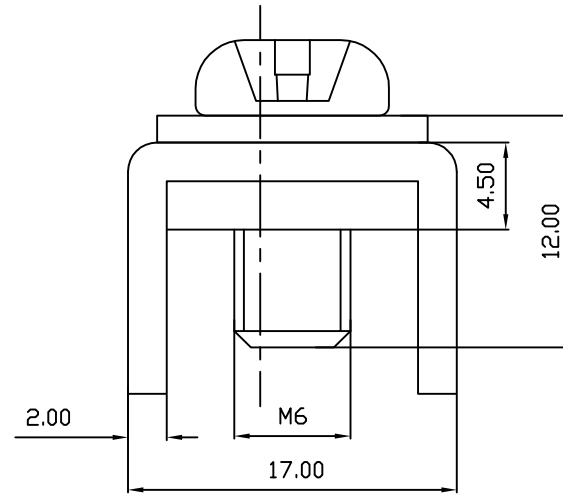
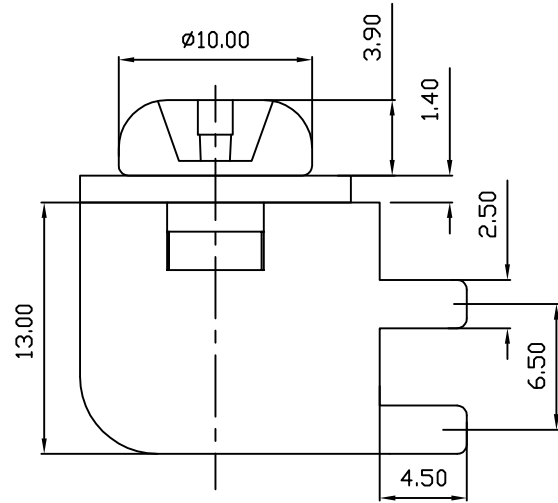


REV	ECN NO	DESCRIPTION	DATE	NAME
A	—	NEW	06/18-'24	KJL



PCB. LAYOUT

材料要求:

- 1.插脚: H62
- 2.垫片: SPCC

技术要求:

- 1.电镀规格: 打铜底0.5~1um, 镍1~3um, 亮锡3~5um, 螺丝镀蓝锌3~5u;
2. 螺纹扭矩Torque: 30lbf · in, 螺纹符合通止规要求;
- 3.盐雾要求: 24小时;
- 4.额定电流: 120A

Ordering Information

LQT X XX X XXXX

Code	PIN Number	Packing	Serial No
M: MALE F: FEMALE (不适用时0表示)	1~99 (总PIN数)	A: PE Bag 袋装 B: Tube 管装 C: Tray 盘装 D: Reel 卷装 E: Bag and Box 袋加盒 F: other 其他	0001~9999

LD CONN 东莞连大精密制品有限公司
DongGuan LianDa Precision Products Co., LTD

TITLE	铆垫片侧插脚(带螺钉)	DRAWN BY	KJL	06/18-'24
PART NO.	LQT004A0011	CHECKED BY		
DRAWING NO.		APPROVED BY		
SCALE	1:1	UNIT	mm	PAGE 1/1
				SIZE A4

>120	±0.50		
>30~120	±0.30		
>6~30	±0.20		
0~6	±0.10	ANGLE	±1°