

# HSE ROHS

REV	ECN NO	DESCRIPTION	DATE	NAME
A		NEW		

### Specifications

1. Current Rating: 0.75Amps
2. Insulation Resistance: 1000 MΩ min.
3. Dielectric withstanding Voltage: 500V AC/DC
4. Contact Resistance: 30 mΩ max.
5. Operating Temperature: -40°C to +105°C
6. Contact Material: Brass
7. Insulation Material: As follows, UL94V-0, Black
8. Plated: Au Over Ni

### Ordering Information

L202 XX -XX 0 X XX X



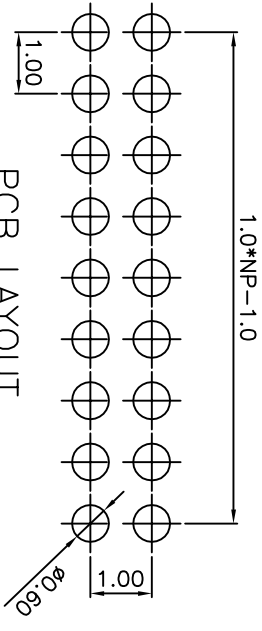
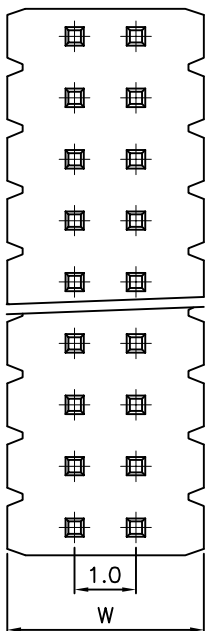
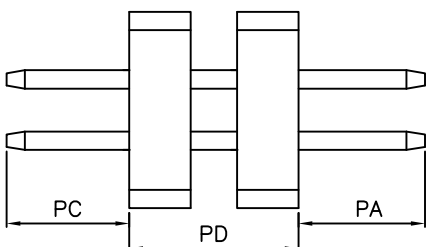
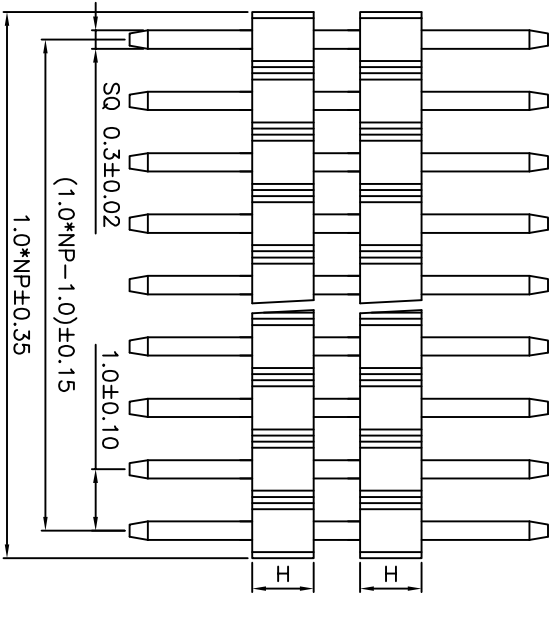
Insulation Height\*Width Per Row: 1-50P  
 (H\*W)  
 Option:  
 10=1.0\*3.2  
 15=1.5\*2.3  
 15=1.5\*3.2

Insulation Material  
 1=BPT  
 2=PPS  
 3=NW6T  
 4=LCP  
 5=NY66  
 6=Customized  
 7=NY46  
 8=NY9T

Contact Plating  
 0=0.8" Gold  
 1=Au1" Gold  
 2=Au1.5" Gold  
 3=Au2" Gold  
 4=Au3" Gold  
 5=Au5" Gold  
 6=Customized  
 7=Gold/Tin  
 8=1in

Serial NO. 01-69

Packing  
 A=PE Bag  
 B=Tube  
 C=Tray  
 D=Reel



Dimension antitheses list				
ITEM	PD	PC	PA	H
Standard	3.00	2.00	2.00	1.00
Alternate				

**LD CONN 东莞连大精密制品有限公司**  
 Dongguan Lianda Precision Products Co., LTD

STANDARD TOLERANCE (EXCEPT SPECIFIED)	
LINER	ANGLES
.0 ±0.30	0.° ±3°
.00 ±0.20	.0° ±2°
.000 ±0.10	.00° ±1°

TITLE	PHI. 0mm Pin Header Dual Row 180°	DRAWN BY	YTT	16.02.03
PART NO	L20210-xx0xxxxx	CHECKED BY		
DRAWING NO		APPROVED BY		
SCALE	1:1	UNITE	mm	PAGE
				1/1
				SIZE
				A4